

3216L

MODEL



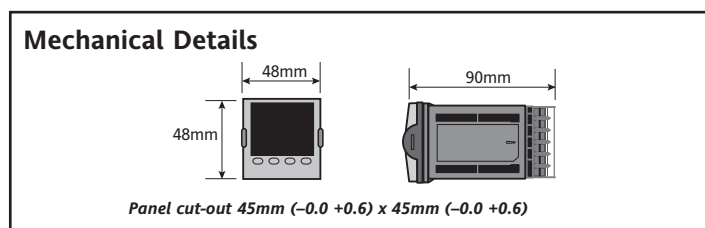
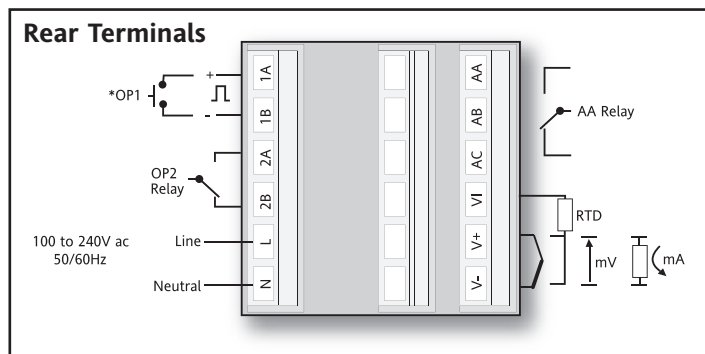
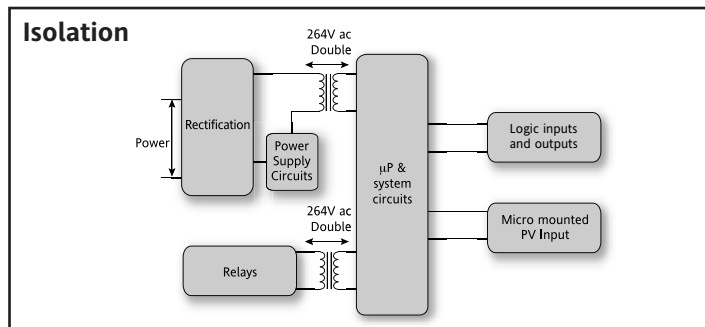
Temperature/Process Controller

Specification Sheet

- Entry level Eurotherm controller
- IP65 sealing and washdown membrane front
- Plastic extrusion
- Packaging machines
- Food and Beverage applications
- Overtemperature protection
- Process alarms

The entry level 3216L controller offers precision control of temperature and other process variables in an affordable format.

The emphasis is on simplicity and ease of use. A simple 'Quick Start' code is used to configure all the functions essential for controlling your process. This includes input sensor type, measurement range, control options and alarms, making 'Out of the Box' operation truly achievable. PID with autotune is available as standard with control outputs allowing relay and logic SSR drive in heat only or heat/cool configurations. Up to two latching alarm trip relays are available.



SPECIFICATION

General

Environmental performance

Temperature limits	Operation: 0 to 55°C Storage: -10 to 70°C
Humidity limits	Operation: 5 to 90% RH non condensing Storage: 5 to 90% RH non condensing
Panel sealing:	IP65, Nema 4X
Shock:	BS EN61010
Vibration:	2g peak, 10 to 150Hz
Altitude:	<2000 metres
Atmospheres:	Not suitable for use in explosive or corrosive atmosphere

Electromagnetic compatibility (EMC)

Emissions and immunity: BS EN61326

Electrical safety

(BS EN61010): Installation cat. II; Pollution degree 2

INSTALLATION CATEGORY II

The rated impulse voltage for equipment on nominal 230V mains is 2500V.

POLLUTION DEGREE 2

Normally, only non-conductive pollution occurs. Occasionally, however, a temporary conductivity caused by condensation shall be expected

Physical

Panel mounting:	1/16 DIN
Weight:	250g
Panel cut-out dimensions:	45W x 45Hmm
Panel depth:	90mm

Operator interface

Type:	LCD TN with backlight
Main PV display:	4 digits, green
Lower display:	5 character starburst, green
Status beacons:	Units, outputs, alarms, active setpoint

Power requirements

100 to 240V ac, -15%, +10%,
48 to 62 Hz, max 6W

Approvals

CE, cUL listed (file E57766), EAC.
Suitable for use in Nadcap and
AMS2750D applications under Systems
Accuracy Test calibration conditions

Process variable input

Calibration accuracy:	<±0.25% of reading ±1LSD*
Sample rate:	4Hz (250ms)
Isolation:	264V ac double insulation from the PSU
Resolution (µV):	<0.5µV with 1.6sec filter
Resolution (effective bits):	>17 bits
Linearisation accuracy:	< 0.1% of reading
Drift with temperature:	<50ppm (typical) <100ppm (worst case)
Common mode rejection:	48-62Hz, >-120db
Series mode rejection:	48-62Hz, >-93dB
Input impedance:	100M
Cold junction compensation:	>30:1 rejection of ambient change
External cold junction:	Reference of 0°C
Cold junction accuracy:	<±1°C at 25°C ambient
Linear(process) input range:	-10 to 80mV, 0 to 10V with 100kΩ/806Ω external divider module

Thermocouple types:
Resistance thermometer types:

K, J, N, R, S, B, L, T
3-wire Pt100 DIN 43760

Bulb current:	0.2mA
Lead compensation:	No error for 22 ohms in all leads
Input filter:	1.6s

* Calibration accuracy quoted over full ambient operating range and for all input linearisation types

AA relay

Type:	Form C (changeover)
Rating:	Min 100mA@12V dc, max 2A@264V ac resistive
Functions:	Alarm

Logic I/O module

Output	
Rating:	ON 12Vdc@<44mA, OFF <300mV@100µA
Isolation:	None from PV or system. 264Vac double insulated from PSU
Functions:	Control outputs, events
Digital input	
Contact closure:	Open >500Ω, closed <150Ω
Isolation:	None from PV or system 264V ac double insulated from PSU
Functions:	Includes alarm acknowledge, SP2 select, manual

Relay output channels

Type:	Form A (normally open)
Rating:	Min 100mA@12V dc, max 2A@264V ac resistive
Functions:	Control outputs, alarms

Software features

Control	
Number of loops:	1
Loop update:	250ms
Control types:	PID
Cooling types:	Linear, fan, oil, water
Modes:	Auto, manual, standby
Overshoot inhibition:	High, low

Alarms

Number:	2
Type:	Absolute high & low, deviation high, low or band
Latching:	Manual latching
Output assignment:	Relay

ORDER CODE



Basic Product

3216L Box of 60 48 x 48mm units

2 Specials and Accessories

XXXXX Specials/Accessories

1 Product Language

ENG English

Eurotherm: International sales and service

AUSTRALIA Sydney
T (+61 2) 9838 0099
E info.au@eurotherm.com

AUSTRIA Vienna
T (+43 1) 7987601
E info.at@eurotherm.com

BELGIUM & LUXEMBOURG
T (+32) 85 274080
E info.be@eurotherm.com

BRAZIL Campinas-SP
T (+5519) 3707 5333
E info.br@eurotherm.com

CHINA
T (+86 21) 61451188
E info.cn@eurotherm.com

Beijing Office
T (+86 10) 63108914
E info.cn@eurotherm.com

Guangzhou Office
T (+86 20) 38106506
E info.cn@eurotherm.com

DENMARK Copenhagen
T (+45 70) 234670
E info.dk@eurotherm.com

FINLAND Abo
T (+358) 22506030
E info.fi@eurotherm.com

FRANCE Lyon
T (+33 478) 664500
E info.fr@eurotherm.com

GERMANY Limburg
T (+49 6431) 2980
E info.de@eurotherm.com

HONG KONG
T (+85 2) 28733826
E info.hk@eurotherm.com

INDIA Chennai
T (+91 44) 24961129
E info.in@eurotherm.com

IRELAND Dublin
T (+353 1) 4691800
E info.ie@eurotherm.com

ITALY Como
T (+39 031) 975111
E info.it@eurotherm.com

KOREA Seoul
T (+82 31) 2738507
E info.kr@eurotherm.com

NETHERLANDS Alphen a/d Rijn
T (+31 172) 411752
E info.nl@eurotherm.com

NORWAY Oslo
T (+47 67) 592170
E info.no@eurotherm.com

POLAND Katowice
T (+48 32) 2185100
E info.pl@eurotherm.com

SPAIN Madrid
T (+34 91) 6616001
E info.es@eurotherm.com

SWEDEN Malmo
T (+46 40) 384500
E info.se@eurotherm.com

SWITZERLAND Wollerau
T (+41 44) 7871040
E info.ch@eurotherm.com

UNITED KINGDOM Worthing
T (+44 1903) 268500
E info.uk@eurotherm.com
www.eurotherm.co.uk

U.S.A. Leesburg VA
Eurotherm Inc.
T (+1 703) 443 0000
E info.us@eurotherm.com
www.eurotherm.com

ED57

© Copyright Eurotherm Limited 2022

Invensys, Eurotherm, the Eurotherm logo, Chessell, EurothermSuite, Mini8, Eycon, Eyriss, EPower and Wonderware are trademarks of Invensys plc, its subsidiaries and affiliates. All other brands may be trademarks of their respective owners.

All rights are strictly reserved. No part of this document may be reproduced, modified, or transmitted in any form by any means, nor may it be stored in a retrieval system other than for the purpose to act as an aid in operating the equipment to which the document relates, without the prior written permission of Eurotherm limited.

Eurotherm Limited pursues a policy of continuous development and product improvement. The specifications in this document may therefore be changed without notice. The information in this document is given in good faith, but is intended for guidance only.

Eurotherm Limited will accept no responsibility for any losses arising from errors in this document.

Part No. HA030022 Issue 4

*(Part No. HA030022 Issue 2 2009)



Printed on
recycled paper
in England 02.09