

# Backlight replacement instructions

## Model 4250G

These instructions are intended as an aid to those involved in replacing the backlighting unit of a graphics recorder with status level O9, O10 or O11. (The status level is the last section of the recorder's serial number and takes the form of a letter followed by one or two numbers e.g B1, C11). For recorders with status levels prior to O9, or later than O11, different kits are required - please contact the Manufacturer's nearest sales/service centre for advice.

### CAUTION

This procedure involves the handling of components which are sensitive to static electrical discharge. All relevant personnel must be aware of static handling procedures. If in doubt, reference should be made to the installation and operation manual, supplied with the recorder, or to the Technical Manual.

## 1. DOOR REMOVAL

- 1 Open the door by lifting the bottom of the catch, then turning it clockwise and pulling open. Return the latch to its closed position.
- 2 Remove the earth lead and the cover (figure 1a), retaining the fixings for later re-assembly.
- 3 Disconnect the two ribbon cable headers
- 4 Using a small screwdriver, or similar, press down on the sprung pin at the top of the door as shown in figure 1b.
- 5 Carefully, ensuring that the sprung pin is not ejected, ease the top of the door outwards, and lift the door away from the case.

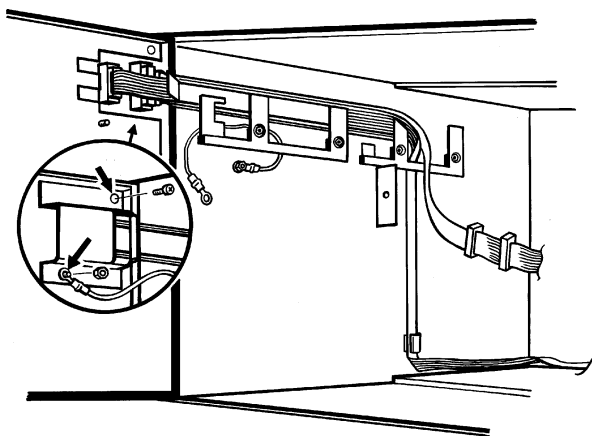


Figure 1a Earth lead and ribbon cable connectors

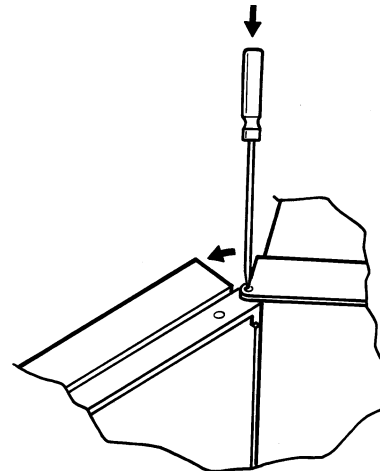


Figure 1b Door hinge pin removal

**2. REMOVAL OF THE DISPLAY UNIT ASSEMBLY**

- 1 Release the door inner cover by undoing and removing the fixing screws ('A' in figure 2a). Remove the plastic door guide ('B') and keep safely for later re-assembly.
- 2 Carefully remove the door inner cover, by lifting the cover and disconnecting the various connectors as they become accessible (C, D and E in figure 2b).
- 3 Remove the four display unit securing screws arrowed in figure 2b

The display unit assembly can now be lifted out of the door and laid on a suitable static-safe work surface.

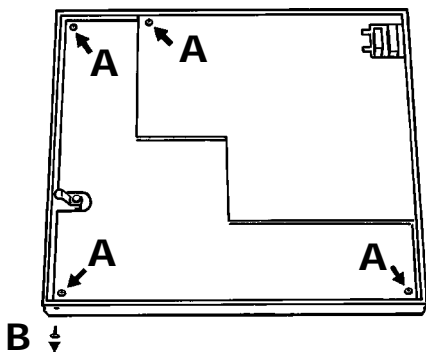


Figure 2a Inner cover securing screws

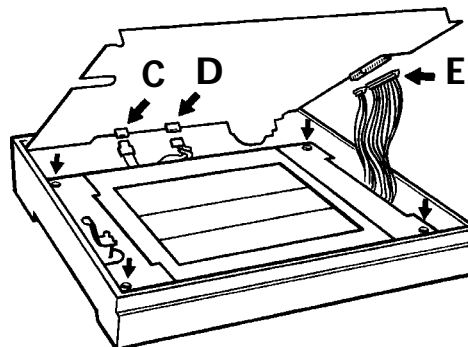


Figure 2b Inner cover removal

**3 BACKLIGHT REMOVAL/REPLACEMENT**

- 1 Turn the display unit over and orient it as shown in figure 3a.
- 2 Disconnect the backlighting connector ('F' in figure 3a).
- 3 Undo the two securing screws ('G' in figure 3a)
- 4 Turn the unit over, and remove the securing screw ('H' in figure 3.2b).
- 5 The backlight unit can now be pulled out as shown in figure 3c and replaced with the new unit.

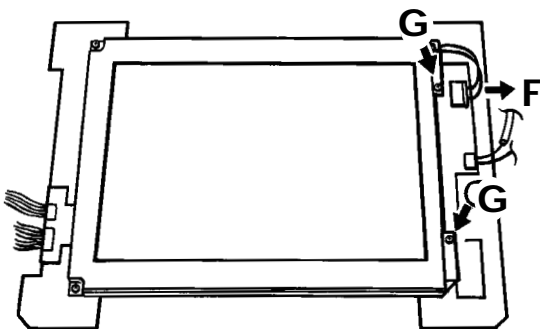


Figure 3a Display removal (1)

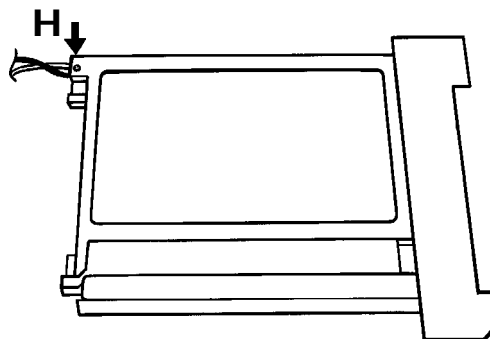


Figure 3b Display removal (2)

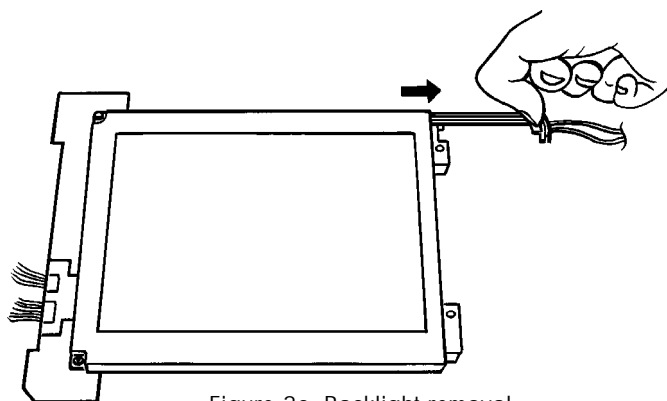


Figure 3c Backlight removal

## 4 REASSEMBLY

Reassemble the unit by carrying out the reverse of the dis-assembly procedure above. Ensure, when fitting the display unit into the door, that the HT harness associated with connector 'J' emerges at the top the display as shown in figure 4 (not to the left as may seem natural).

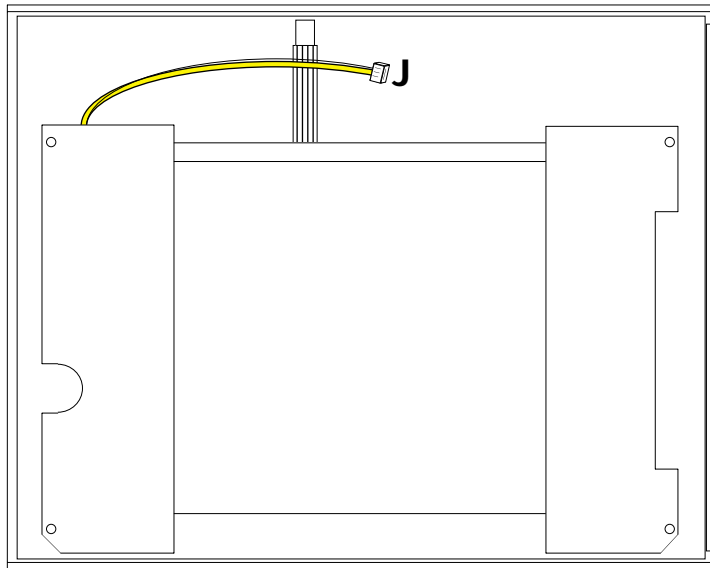


Figure 4 HT lead location

### 4.1 RECALIBRATION

This process ensures that the image is centred on the display screen.

1. At switch on, continuously hold a finger somewhere on the display screen until the calibration display appears (approximately 30 secs) as depicted in figure 4.1.
2. Using a small diameter item (e.g. a fine pencil point) which will not damage the display screen, touch the intersection of the top left crosshairs, as requested by the display.
3. Once the top left target has been accepted, touch the bottom right target as requested by the screen.

Once both targets have been entered, initialisation continues as normal.

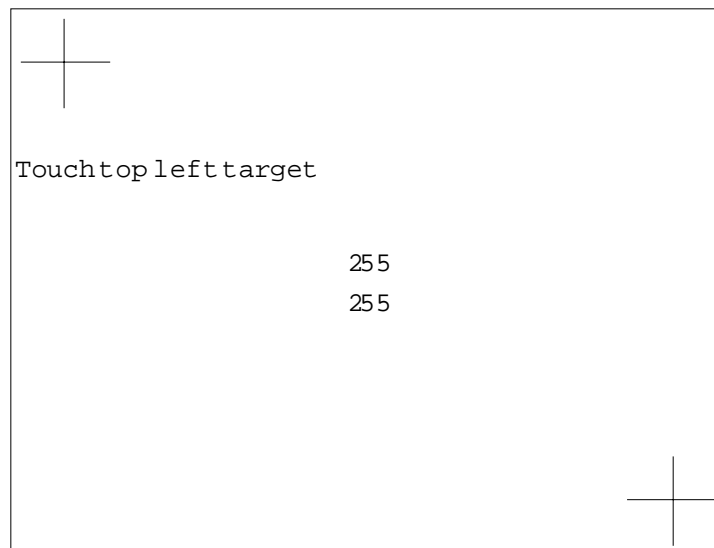


Figure 4.1 Calibration display

# Inter-Company sales and service locations

## Australia

Eurotherm Pty. Limited.  
Unit 10,  
40 Brookhollow Avenue,  
Baulkham Hills,  
NSW 2153

Telephone: 61 2 9634 8444  
Fax: 61 2 9634 8555  
e-mail: [eurotherm@eurotherm.com.au](mailto:eurotherm@eurotherm.com.au)  
<http://www.eurotherm.com.au>

## Austria

Eurotherm GmbH  
Geiereckstraße 18/1,  
A1110 Wien,

Telephone: 43 1 798 76 01  
Fax: 43 1 798 76 05  
e-mail: [eurotherm@eurotherm.at](mailto:eurotherm@eurotherm.at)  
<http://www.eurotherm.at>

## Belgium

Eurotherm BV,  
Kontichsesteenweg 54  
2630 Aartselaar  
Antwerpen

Telephone: 32 3 320 8550  
Fax: 32 3 321 7363

## Denmark

Eurotherm Danmark A/S  
Finsensvej 86,  
DK 2000 Fredriksberg,

Telephone: +45 (38) 871622  
Fax: +45 (38) 872124  
e-mail: [salesdk@eurotherm.se](mailto:salesdk@eurotherm.se)

## Finland

Eurotherm Finland,  
Aurakatu 12A,  
FIN-20100 Turku

Telephone: 358 2 25 06 030  
Fax: 358 2 25 03 201

## France

Eurotherm Automation Division Chessell  
Parc d'Affaires,  
6, Chemin des Joncs,  
BP55  
F - 69574 Dardilly, CEDEX

Telephone: 33 0 4 78 66 55 20  
Fax: 33 0 4 78 66 55 35

## Germany

Eurotherm Deutschland GmbH  
Ottostraße 1,  
65549 Limburg

Tel: +49 (0) 64 31/2 98 - 0  
Fax: +49 (0) 64 31/2 98 - 1 19  
e-mail: [info@regler.eurotherm.co.uk](mailto:info@regler.eurotherm.co.uk)  
<http://www.eurotherm-deutschland.de>

## Great Britain

Eurotherm Limited,  
Faraday Close,  
Worthing,  
West Sussex BN13 3PL

Telephone: +44 (0)1903 695888  
Fax: +44 (0)1903 695666  
e-mail: [Sales@recorders.eurotherm.co.uk](mailto:Sales@recorders.eurotherm.co.uk)  
or: [Support@recorders.eurotherm.co.uk](mailto:Support@recorders.eurotherm.co.uk)  
<http://www.eurotherm.co.uk>

## Hong Kong

Eurotherm Limited,  
Unit D, 18/F Gee Chang Hong Centre,  
65, Wong Chuk Hang Road,  
Aberdeen.

Telephone: 852 2873 3826  
Fax: 852 2870 0148  
e-mail: [eurotherm@eurotherm.com.hk](mailto:eurotherm@eurotherm.com.hk)

## India

Eurotherm DEL India Limited,  
152, Developed Plots Estate,  
Perungudi,  
Chennai 600 096,

Telephone: 91 44 4961129  
Fax: 91 44 4961831  
e-mail: [info@eurothermdel.com](mailto:info@eurothermdel.com)  
<http://www.eurothermdel.com>

## Italy

Eurotherm SpA,  
Via XXIV Maggio,  
I-22070 Guanzate,  
Como.

Telephone: 39 031 975111  
Fax: 39 031 977512  
e-mail: [info@eurotherm.it](mailto:info@eurotherm.it)  
<http://www.eurotherm.it>

## Japan

Densei Lambda K.K.,  
Strategic Products Dept.  
5F Nissay Aroma Square,  
37-1, Kamata, 5-Chome,  
Ohta-ku,  
Tokyo 144-8721

Telephone: 81 3 5714 0620  
Fax: 81 3 5714 0621  
e-mail (Sales): [k.iwama@densai-lambda.com](mailto:k.iwama@densai-lambda.com)  
e-mail (Technical): [v.rendle@densai-lambda.com](mailto:v.rendle@densai-lambda.com)  
<http://www.densei-lambda.com>

## Korea

Eurotherm Korea Limited,  
J- Building  
402-3  
Poongnab-Dong,  
Songpa-Ku  
Seoul, 138-040

Telephone: 82 2 478 8507  
Fax: 82 2 488 8508

## Netherlands

Eurotherm BV,  
Genielaan 4,  
2404CH Alphen aan den Rijn,  
The Netherlands

Telephone: 31 172 411 752  
Fax: 31 172 417 260  
e-mail: [Sales@eurotherm.nl](mailto:Sales@eurotherm.nl)  
<http://www.eurotherm.nl>

## Norway

Eurotherm A/S,  
Vollsveien 13D  
1366 Lysaker,  
Postboks 227  
NO-1326 Lysaker  
Norway,

Telephone: 47 67 592170  
Fax: 47 67 118301  
<http://www.eurotherm.no>

## Spain

Eurotherm España SA,  
Pol. Ind. De Alcobendas,  
Calle de la Granja 74,  
28108 Alcobendas,  
Madrid.

Telephone: 34 91 661 60 01  
Fax: 34 91 661 90 93  
<http://www.eurotherm.es>

## Sweden

Eurotherm AB,  
Lundavägen 143,  
S-21224 Malmö.

Telephone: 46 40 38 45 00  
Fax: 46 40 38 45 45  
e-mail: [info@eurotherm.se](mailto:info@eurotherm.se)  
<http://www.eurotherm.se>

## Switzerland

Eurotherm Produkte (Schweiz) AG,  
Schwerzistraße, 20,  
CH-8807 Freienbach.

Telephone: 41 55 415 44 00  
Fax: 41 55 415 44 15  
e-mail: [epsag@eurotherm.ch](mailto:epsag@eurotherm.ch)  
<http://www.eurotherm.ch>

## United States of America

Eurotherm Recorders Inc.  
741-F Miller Drive  
Leesburg  
VA 20175-8993

Telephone: 1 703 669 1342  
Fax: 1 703 669 1307  
e-mail (Sales): [sales@chessell.com](mailto:sales@chessell.com)  
e-mail (Technical): [support@chessell.com](mailto:support@chessell.com)  
<http://www.chessell.com>



**EUROTHERM**

EUROTHERM LIMITED

Faraday Close, Durrington, Worthing, West Sussex, BN13 3PL  
Telephone: 01903 695888 Facsimile: 01903 695666  
e-mail: [info@eurotherm.co.uk](mailto:info@eurotherm.co.uk)  
Website: <http://www.eurotherm.co.uk>