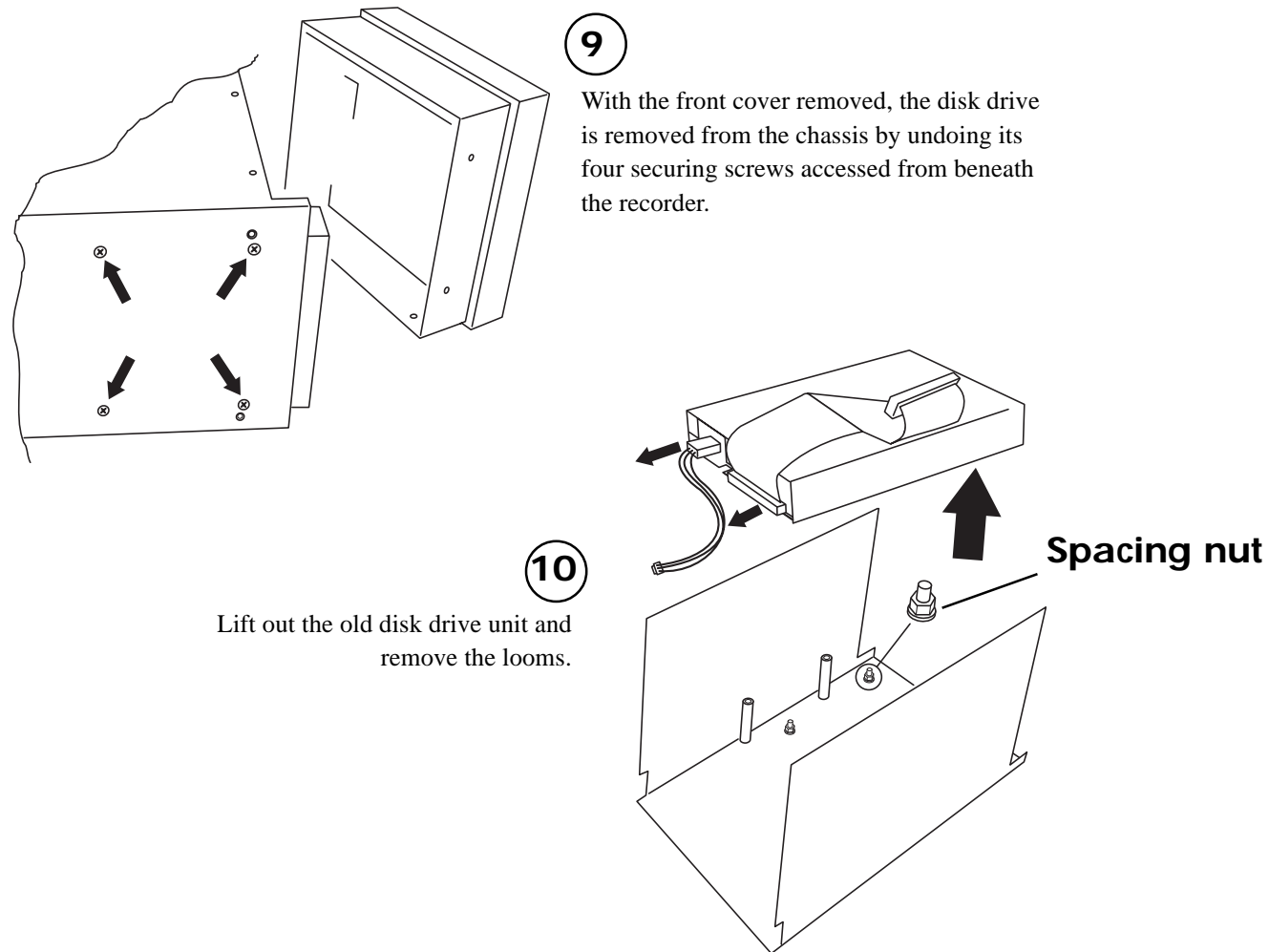


## DISK DRIVE REPLACEMENT



**11** Fit the looms to the new disk drive unit and, ensuring that the spacing nuts are correctly fitted, fit the replacement disk drive unit.

Re-fit the front cover assembly.

**12** Re-assemble the recorder ensuring that all flexi cables are securely retained in their various connectors and that all shakeproof washers are re-fitted in their correct locations. In particular, the shakeproof washer associated with screw 'D' MUST be fitted, or the recorder will not comply with BS EN61010

## Service instructions Model 5100e

These instructions are intended as an aid to service engineers and others who are required to replace the main board, the graphics display unit or the disk drive unit of a 100 mm graphics recorder. Only those parts of the instructions that are relevant to the particular job in hand need be followed.

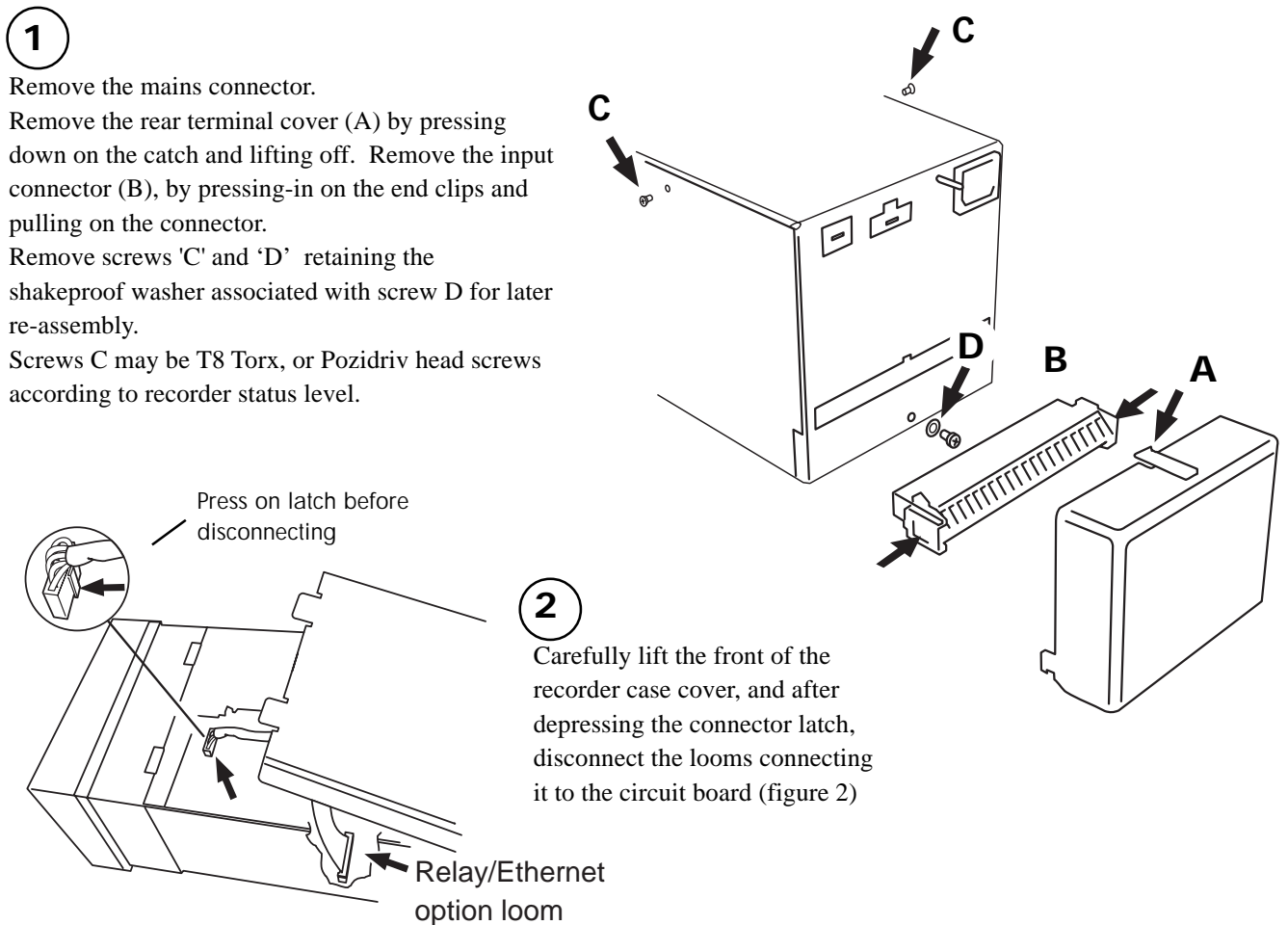


### CAUTION

These procedures involve the handling of components which are sensitive to static electrical discharge. All relevant personnel must be aware of proper static handling procedures.

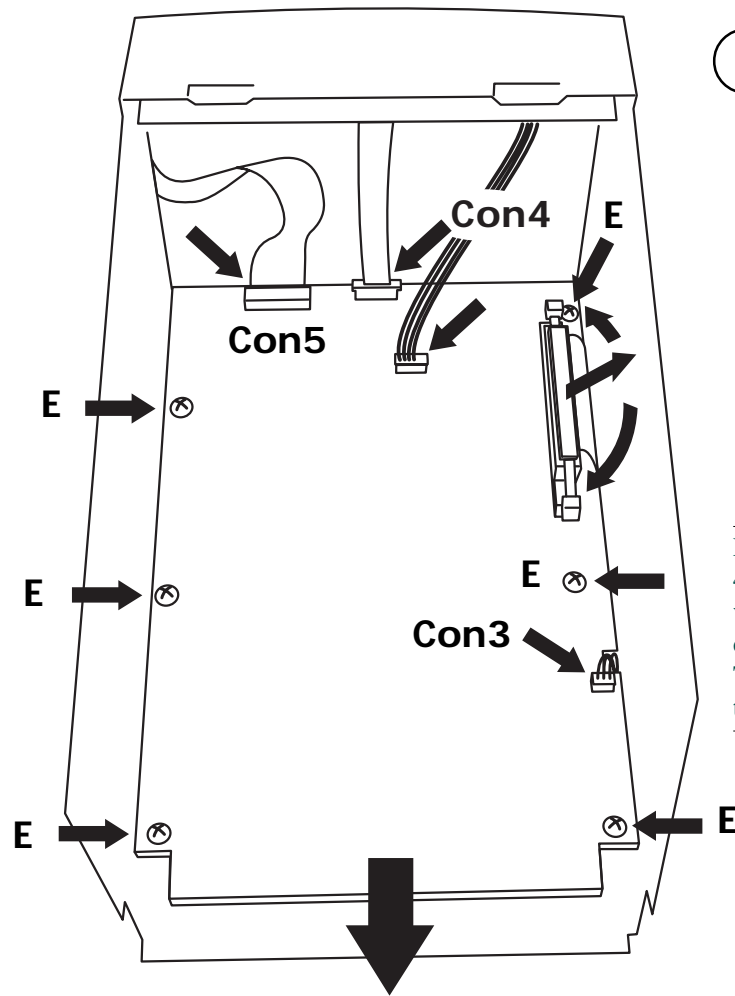
## REMOVAL OF MAIN (INPUT/PROCESSOR) BOARD

**1** Remove the mains connector. Remove the rear terminal cover (A) by pressing down on the catch and lifting off. Remove the input connector (B), by pressing-in on the end clips and pulling on the connector. Remove screws 'C' and 'D' retaining the shakeproof washer associated with screw D for later re-assembly. Screws C may be T8 Torx, or Pozidriv head screws according to recorder status level.



EUROTHERM LIMITED  
Faraday Close, Durrington, Worthing, West Sussex, BN13 3PL  
Telephone: 01903 695888. Facsimile: 01903 695666  
e-mail: [info@eurotherm.co.uk](mailto:info@eurotherm.co.uk)  
Website: <http://www.eurotherm.co.uk>

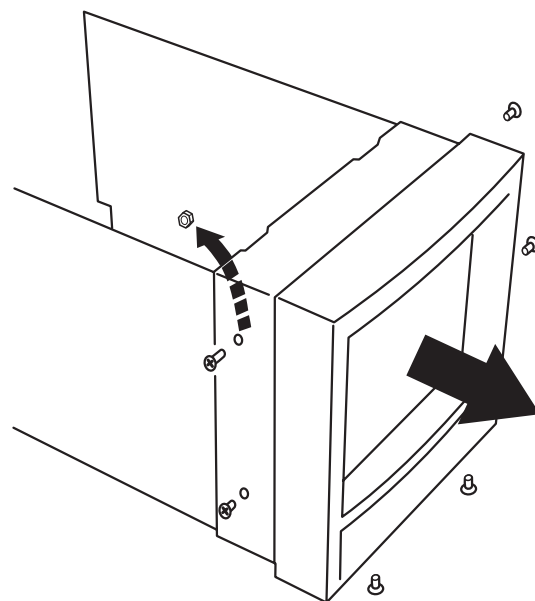
### REMOVAL OF MAIN (INPUT/PROCESSOR) BOARD (Cont.)



- 3 Disconnect all the main board connectors except Con 3 and Con 5.  
Remove the 6 screws 'E'  
Carefully lift the board out, disconnecting Con 3 and Con 5 as they become accessible.  
The board can now be replaced if required, and the recorder re-assembled, as described in instruction 12. Otherwise, continue at instruction 4.

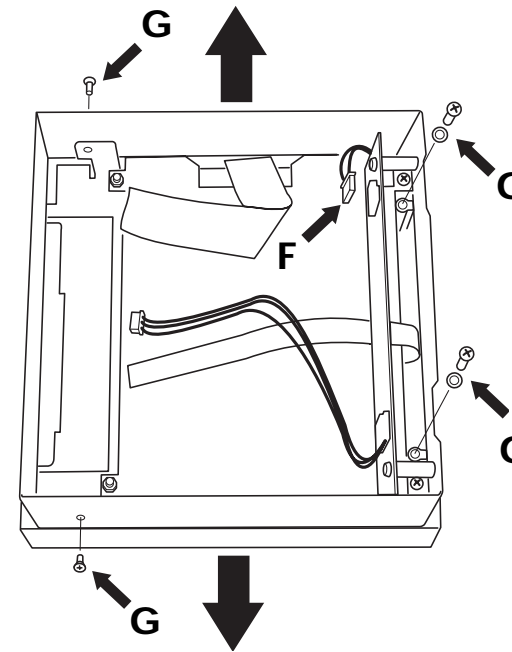
*Note: On the latest version of the circuit board, CON 4 is rotated by 180 degrees compared with previous versions. The flexi-cable therefore needs an extra 180 degree twist, not shown in the illustration. The insulated side of the flexi-cable must always be towards the moving (clamp) side of the connector.*

### REMOVAL OF THE FRONT COVER

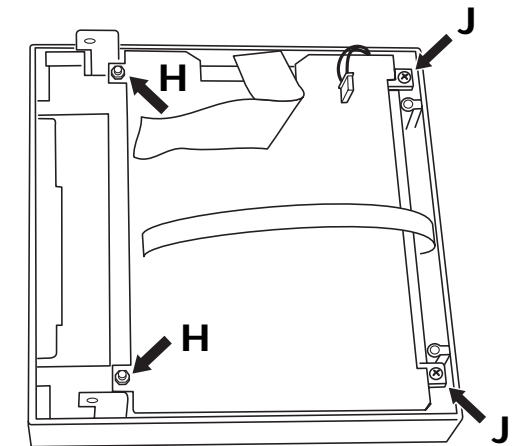


- 4 Noting that one screw has a nut behind it, release the front of the recorder by undoing the six retaining screws. These may be T8 Torx, or Pozidriv head screws according to recorder status level. For CE compliance, the nut must be refitted on re-assembly  
This allows replacement of the display itself, and of the disk drive unit. Please follow the appropriate instructions below.

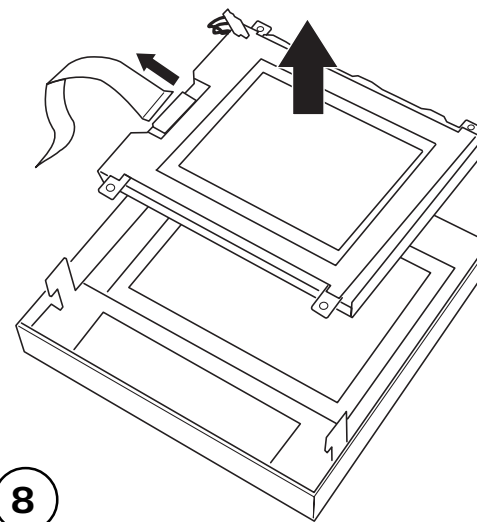
### DISPLAY UNIT REPLACEMENT



- 5 Disconnect the inverter board connector (F).  
Remove the sleeve section after first removing screws 'G'.



- 6 Release the display unit by undoing the two nuts ('H') and screws ('J').



- 7 If necessary, 'unstick' the touch screen flexi-cable (not shown here) from the back of the display screen.  
Lift the old display unit out of the cover, and remove the display flexi cable.

- 8 Fit the flexi to the replacement display unit. Fit the replacement unit into the cover and secure using the nuts and screws previously removed.

Re-assemble the recorder ensuring as described in instruction 12.

After re-assembly, apply power to the unit, whilst holding, for example, a finger, on the touch screen. This calls the diagnostics display. Operate the 'Touch Cal' key and follow the instructions on the screen to calibrate the display. For more details, see section 7 of the User guide supplied with the recorder.