

Front panel mounting SCR assembly

Model 832

Rear terminal connections

Check the Product Code and the label on the instrument to verify the ratings of the instrument. There are 2 different wiring schemes depending on whether there is an *auxiliary supply* or not. The auxiliary supply is required when the load voltage is other than 120Vac or 240Vac.

Models with auxiliary supply

Line and load wiring

Wire in accordance with Figure 1 below. Only 1 side of the AC supply need be brought to the Model 832 (terminal 1). The other side of the AC supply is connected to the load.

Auxiliary supply wiring

The auxiliary supply can be ordered either as 120Vac±10% or 240Vac±10%. It must be taken from the *same phase* as the load supply. If the load supply and the auxiliary supply voltages are not the same, a transformer must be included in the wiring of the auxiliary supply.

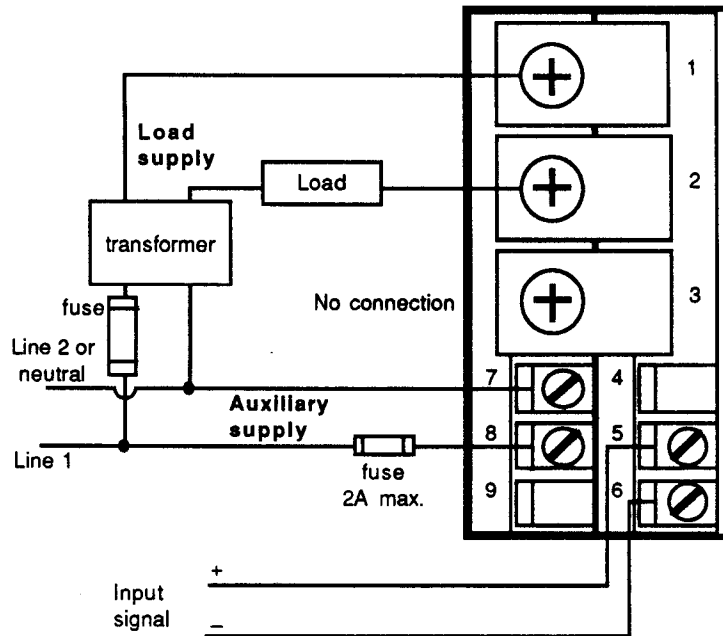


Figure 1.

Models without auxiliary supply

Line and load wiring

Refer to Figure 2 below. Both sides of the AC supply are brought to the Model 832. Line 1 is connected to terminal 1; line 2 is connected to the load *and* terminal 3.

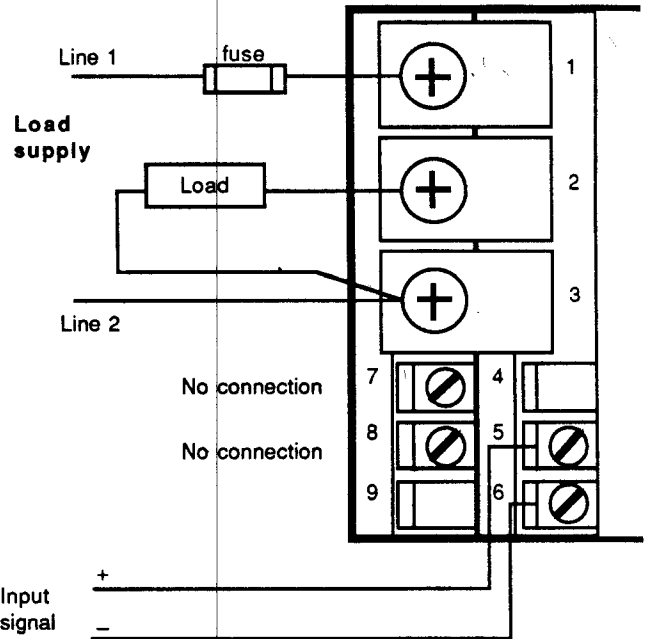


Figure 2.



EUROTHERM CORPORATION

A Eurotherm International Company

11485 Sunset Hills Road, Reston, Virginia 22090-5286

(703) 471-4870

Telex 89-9449

Facs (703) 437-3182