



S1A5614602

**⚡ ⚠ DANGER**

**HAZARD OF ELECTRIC SHOCK, EXPLOSION, OR ARC FLASH**

- Only appropriately trained persons who are familiar with and understand the contents of this manual and all other pertinent product documentation and who have received safety training to recognize and avoid hazards involved are authorized to work on and with this drive system. Installation, adjustment, repair and maintenance must be performed by qualified personnel.
  - The system integrator is responsible for compliance with all local and national electrical code requirements as well as all other applicable regulations with respect to grounding of all equipment.
  - Many components of the product, including the printed circuit boards, operate with mains voltage. Do not touch. Use only electrically insulated tools.
  - Do not touch unshielded components or terminals with voltage present.
  - Motors can generate voltage when the shaft is rotated. Prior to performing any type of work on the drive system, block the motor shaft to prevent rotation.
  - AC voltage can couple voltage to unused conductors in the motor cable. Insulate both ends of unused conductors of the motor cable.
  - Do not short across the DC bus terminals or the DC bus capacitors or the braking resistor terminals.
  - Before performing work on the drive system:
    - Disconnect all power, including external control power that may be present.
    - Place a "Do Not Turn On" label on all power switches.
    - Lock all power switches in the open position.
    - Wait 15 minutes to allow the DC bus capacitors to discharge. The DC bus LED is not an indicator of the absence of DC bus voltage that can exceed 800 Vdc.
    - Measure the voltage on the DC bus between the DC bus terminals using a properly rated voltmeter to verify that the voltage is < 42 Vdc.
    - If the DC bus capacitors do not discharge properly, contact your local Schneider Electric representative.
  - Install and close all covers before applying voltage.
- Failure to follow these instructions will result in death or serious injury.**

Electrical equipment should be installed, operated, serviced, and maintained only by qualified personnel. No responsibility is assumed by Schneider Electric for any consequences arising out of the use of this product.

Information below is designed to use **single drive** connected to **single motor with a motor cable length less than 50 meters (164 ft)**. Check your cables before connecting the drive with motor (length, power, shielded or unshielded)  
 In any other case, consult the ATV12 user manual (BBV28581) on [www.schneider-electric.com](http://www.schneider-electric.com).

## 1 Check the delivery of the drive

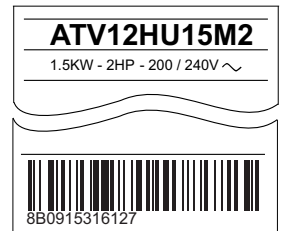
- Remove ATV12 from the packaging and check that it has not been damaged.

**⚠ WARNING**

**DAMAGED DRIVE EQUIPMENT**

Do not operate or install any drive or drive accessory that appears damaged.  
**Failure to follow these instructions can result in death, serious injury, or equipment damage.**

- Check that the drive reference printed on the label matches the delivery note and corresponding purchase order.



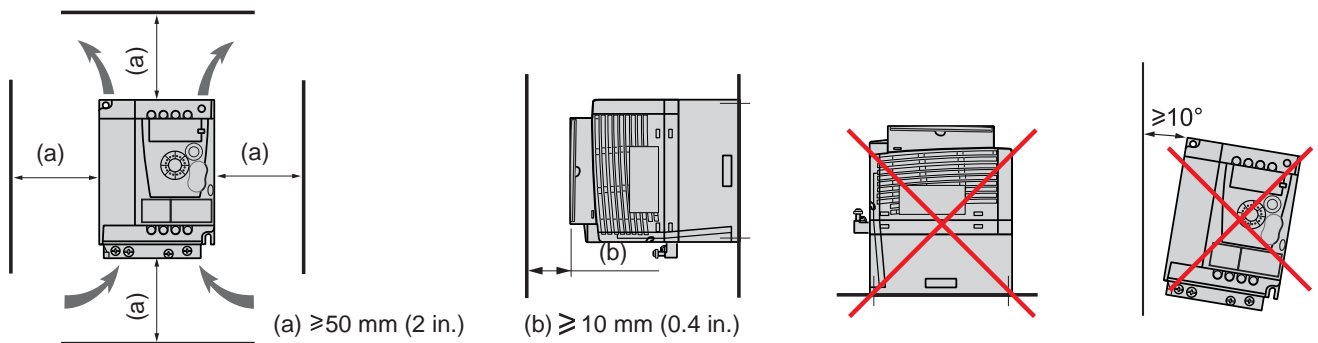
Write the drive Model Reference: \_\_\_\_\_ and Serial Number: \_\_\_\_\_

## 2 Check the line voltage compatibility

- Check that the **line voltage** is compatible with the supply range of the drive.  
 Line voltage \_\_\_\_\_ Volts    Drive voltage range \_\_\_\_\_ Volts  
 Drive range: ATV12●●●●F1 = 100/120 V single phase / ATV12●●●●M2=200/240 V single phase / ATV12●●●●M3 = 200/240 V three-phase.

## 3 Mount the drive vertically

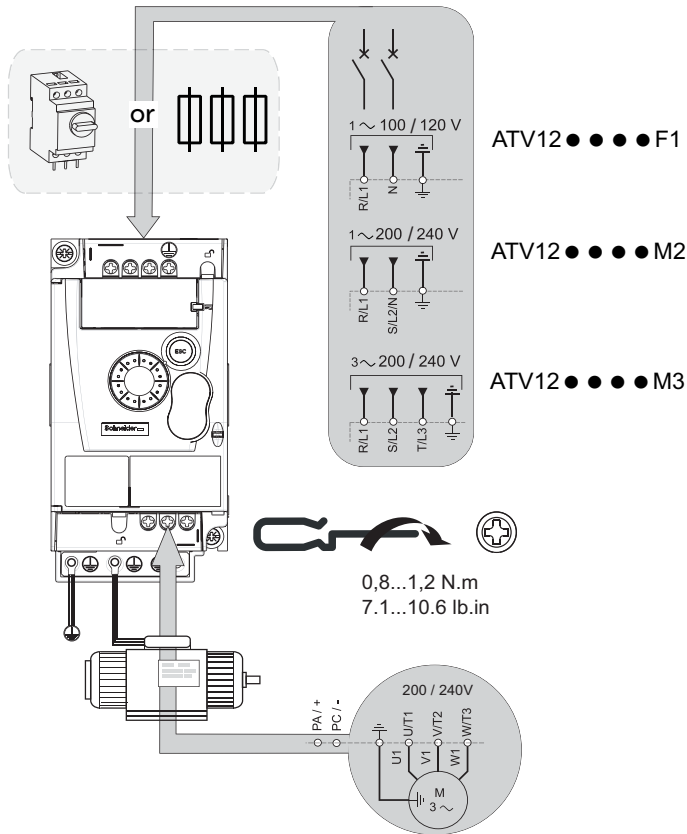
For a surrounding air temperature up to 40 °C (104 °F) or 50°C (122°F), based on product reference number.



See user manual (BBV28581) on [www.schneider-electric.com](http://www.schneider-electric.com) for other thermal conditions. For ATV12P baseplate product, see also the ATV12P installation manual (BBV28587)

## 4 Connect power wiring

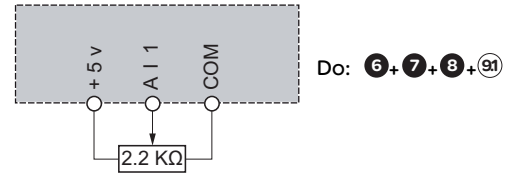
- Wire the drive to the ground.
- Check circuit breaker rating or fuse rating.
- Check that the motor voltage is compatible with the drive voltage.  
Motor voltage \_\_\_\_\_ Volts.
- Wire the drive to the motor.
- Wire the drive to the line supply.



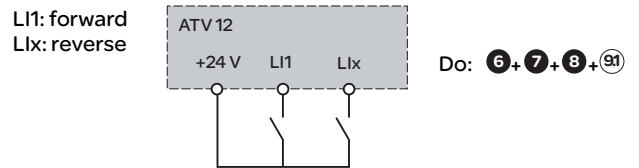
## 5 Connect control wiring and Select control configuration

### 51 [REMOTE configuration] (Control by external reference)

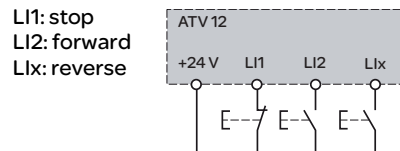
- Wire the speed reference:



- Wire the command:  
Control command 2-wire:  
Parameter  $CC = 2C$



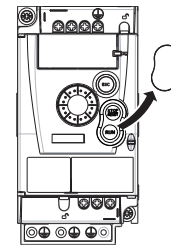
- Control command 3-wire:  
Parameter  $CC = 3C$



### 52 [LOCAL configuration] (control by internal reference).

Do: 6 + 7 + 8 + 91

Do: 6 + 7 + 8 + 92



## 6 Apply power to the drive

- Ensure that Inputs are not active (see Li1, Li2, Lix).
- Apply power to the drive.
- The drive displays **bFr** at first power up.
- On next start-ups, the drive displays **rdY**.

## 7 Set motor parameters

- Refer to the motor Nameplate for the following parameters settings.

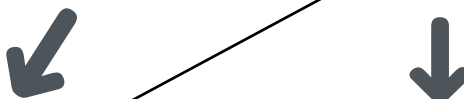
Menu	Code	Description	Factory setting	Customer setting
CONF > FULL > drC - [Motor control menu]	bFr	[Standard motor frequency]: Standard motor frequency (Hz)	50.0	
	nPr	[Rated mot. power]: Nominal motor power on motor nameplate	drive rating	
	nCr	[Rated mot. current]: Nominal motor current on motor nameplate (A)	drive rating	
CONF > FULL > FLt - > lEt - [Motor thermal protection menu]	lEtH	[Motor thermal current]: Nominal motor current on motor nameplate (A)	drive rating	

## 8 Set basic parameters

Menu	Code	Description	Factory setting	Customer setting
<b>C O n F</b> [CONFIGURATION]	<b>A C C</b>	[Acceleration]: Acceleration time (s)	<b>3.0</b>	
	<b>d E C</b>	[Deceleration]: Deceleration time (s)	<b>3.0</b>	
	<b>L S P</b>	[Low speed]: Motor frequency at minimum reference (Hz)	<b>0.0</b>	
	<b>H S P</b>	[High speed]: Motor frequency at maximum reference (Hz)	<b>50.0</b>	

## 9 Set control choice

Menu	Code	Description	5.1 [REMOTE configuration]	5.2 [LOCAL configuration]	Customer Setting
<b>C O n F &gt; F U L L &gt;</b> <b>C t I -</b> [Control menu]	<b>F r I</b>	[Reference channel]: Reference control	<b>A I I</b>	<b>A I U I</b>	
<b>C O n F &gt; F U L L &gt;</b> <b>I - O -</b> [Input Output menu]	<b>t C C</b>	[Type of control]: Command control	<b>2 C</b> : 2-wire control <b>3 C</b> : 3-wire control	—	



### 91 [REMOTE configuration] (configuration factory setting)

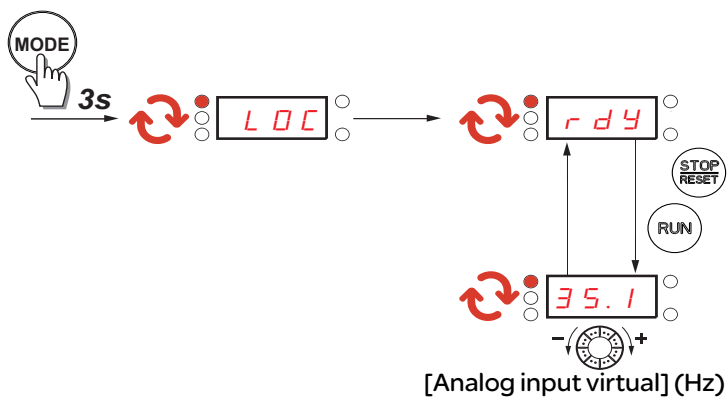
Parameters factory settings:

**F r I = A I I**  
**t C C = 2 C**

### 92 [LOCAL configuration]

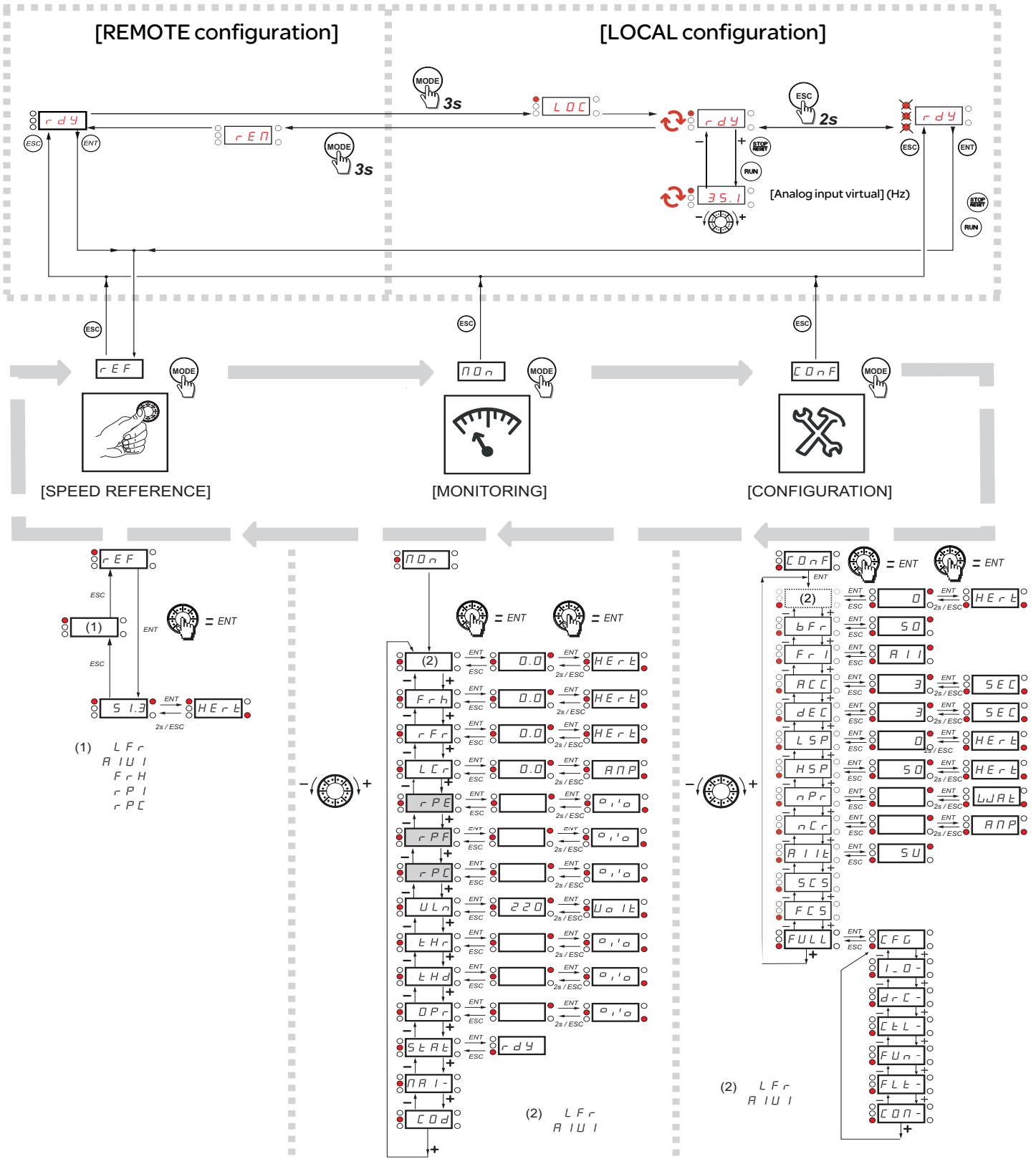
Parameters factory settings:

**F r I = A I U I**



## 10 Start the motor

# Menus structure



Refer to the user manual (BBV28581) for comprehensive menu description.

A dash appears after menu codes to differentiate them from parameter codes.  
 Example: [Motor control menu] (`drc-`), `bFr` parameter.