

T225

MODEL



ELIN - ALIN Bridge Specification Sheet

Features :

- **ELIN - ALIN Connectivity**
- **Transparent operation**
- **Fault tolerant**
- **Supports LIN**
- **System growth/performance Messages only passed as required**
- **Diagnostics**

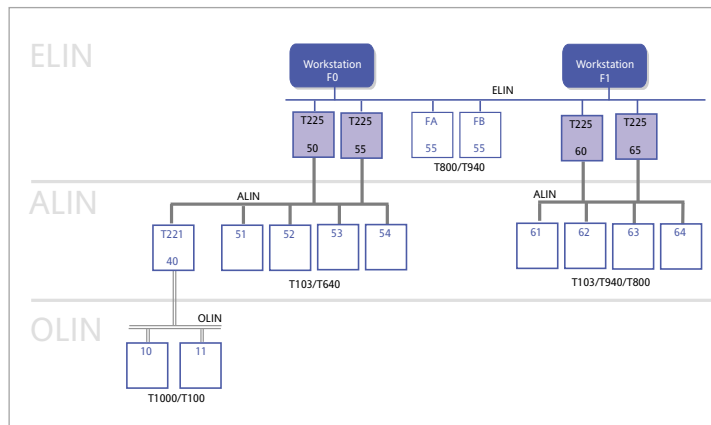
The T225 ELIN-ALIN Bridge passes database connections and filing system requests between ELIN and ALIN network nodes. Redundant operation is achieved by connecting the units in parallel.

Operation

The bridge operates transparently, by passing the Database and Filing connections between LIN nodes on ELIN and ALIN networks either side of the T225. If a T225 fails then the connection between LIN nodes will fail. Alarms are generated and file transfer failures will result. If there are alternative paths then the LIN Software automatically seeks an alternative path and re-establishes the connection. The T225s can be put in series with T225's or T221. It is therefore possible to create logical LIN networks from a mixture of OLIN (original coax), ALIN (Arcnet) and ELIN (Ethernet) nodes. T225 functionality is virtually identical to that of the T221 Bridge providing transparent integration of local ALIN and ELIN environment, and traffic segregation for optimal performance.

Basic Topology

The diagram below shows schematically an example of how the T225 maybe used to link multiple segments of ALIN and ELIN to a single ELIN network. In the configuration shown full peer to peer communications are maintained between all nodes.



ELIN-LIN over Ethernet
Uses Standard 10/100baseT CAT5 cable in a star or mesh network

ALIN-LIN over Arcnet
Uses Low cost twisted pair cable and supports 8 nodes per segment up to 100 metres

OLIN-LIN over Coax
Uses 75 ohm coaxial cble and supports 32 nodes per segment up to 1000 metres

Bridge Redundancy

An ALIN network segment maybe connected to the ELIN by more than one T225 Bridge. Upon failure of a single T225 the LIN Software will try an alternative redundant path to re-establish the connection. Providing a fault tolerant configuration.

Diagnostics

A suite of diagnostics blocks are available via TELNET or through a local configuration port.

Status Indication

Status Led functions (unit top)
 IDE - Compact Flash activity
 ERR - Error with ALIN or ELIN port
 STAT - Forwarding Data
 PWR - Unit Powered up

ELIN port Led's

Left
 On = 100BaseT
 Off = 10BaseT
 Right
 On = Comms activity

Digital Outputs

Digital Outputs (Isolated Open Collector) are provided for the following functions

Watchdog
 Forwarding comms traffic
 ALIN good
 ELIN good

Communication Address setup

T225 Initial address setup is configured via a terminal emulator such as Hyper Terminal using the Com 1 serial port for the IP address and Subnet mask, ELIN protocol name and Node address.

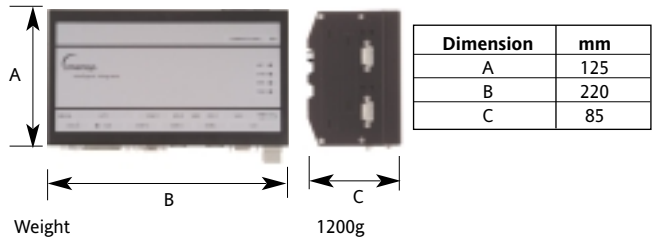
TECHNICAL SPECIFICATION

Electrical

Supply voltage range 10-30Vdc
 Supply current 0.4A
 Digital outputs Open collector driver, max 30 volts, max 40mA (No over current protection)
 Isolation 100BaseT - Galvanic, 500 ac rms
 Digital outputs - opto-galvanic 500 ac rms

Mechanical

Mounting The T225 is designed to be mounted directly onto a top hat 35mm x 220mm (min length) DIN rail.



Environmental

EMC CE marked to the immunity to interference (EN61000-6-2:1999) and emissions directive (EN55011:1999 class A) for industrial environments In accordance with EN61000-6-2:1999 criteria B
 Fast transients IP30
 Sealing 0 to +70°C
 Storage temperature 0 to +50°C
 Operating temperature ±10°C/min
 Temp. shock Storage: ±5°C/min
 Operating:
 Relative humidity Storage: Up to 95%, non-condensing
 Operating: Up to 90% non-condensing
 Vibration Spectrum: 5 to 100Hz
 Acceleration: 2g

ORDERING CODE

T225 ELIN ALIN

Eurotherm: International sales and service

Understanding and providing local support is a key part of Eurotherm's business. Complementing worldwide Eurotherm offices are a whole range of partners and a comprehensive technical support team... a soothing melody to ensure you get a service you will want to go back to.

AUSTRALIA Sydney

Eurotherm Pty. Ltd.
 Telephone (+61 2) 9838 0099
 Fax (+61 2) 9838 9288
 E-mail info@eurotherm.com.au

AUSTRIA Vienna

Eurotherm GmbH
 Telephone (+43 1) 7987601
 Fax (+43 1) 7987605
 E-mail eurotherm@eurotherm.at

BELGIUM Moha

& LUXEMBURG Huy
 Eurotherm S.A./B.V.
 Telephone (+32) 85 274080
 Fax (+32) 85 274081
 E-mail sales@eurotherm-belguim.be

BRAZIL Campinas-SP

Eurotherm Ltda.
 Telephone (+5519) 3237 3413
 Fax (+5519) 3234 7050
 E-mail eurothermltda@eurothermltda.com.br

DENMARK Copenhagen

Eurotherm Danmark A/S
 Telephone (+45 70) 234670
 Fax (+45 70) 234660
 E-mail info@eurotherm.se

FINLAND Abo

Eurotherm Finland
 Telephone (+358) 22506030
 Fax (+358) 22503201

FRANCE Lyon

Eurotherm Automation SA
 Telephone (+33 478) 664500
 Fax (+33 478) 352490
 E-mail ea@automation.eurotherm.co.uk

GERMANY Limburg

Eurotherm Deutschland GmbH
 Telephone (+49 6431) 2980
 Fax (+49 6431) 298119
 E-mail info@regler.eurotherm.co.uk

HONG KONG & CHINA

Eurotherm Limited Aberdeen
 Telephone (+85 2) 28733826
 Fax (+85 2) 28700148
 E-mail eurotherm@eurotherm.com.hk

Guangzhou Office

Telephone (+86 20) 8755 5936
 Fax (+86 20) 8755 5831

Beijing Office

Telephone (+86 10) 6762 0936
 Fax (+86 10) 6762 0931

Shanghai Office

Telephone (+86 21) 6352 6406
 Fax (+86 21) 6352 7351

INDIA Chennai

Eurotherm India Limited
 Telephone (+9144) 24961196
 Fax (+9144) 2256682070
 E-mail sales@eurothermdel.com

IRELAND Dublin

Eurotherm Ireland Limited
 Telephone (+353 1) 469180
 Fax (+353 01) 4691300
 E-mail info@eurotherm.ie

ITALY Como

Eurotherm S.r.l
 Telephone (+39 31) 975111
 Fax (+39 31) 977512
 Telex 380893 EUROTH I
 E-mail info@eurotherm.it

KOREA Seoul

Eurotherm Korea Limited
 Telephone (+82 31) 2738507
 Fax (+82 31) 2738508
 E-mail help@eurotherm.co.kr

NETHERLANDS Alphen a/d Ryn

Eurotherm B.V.
 Telephone (+31 172) 411752
 Fax (+31 172) 417260
 E-mail sales@eurotherm.nl

NORWAY Oslo

Eurotherm A/S
 Telephone Oslo (+47 67) 592170
 Fax (+47 67) 118301
 E-mail info@eurotherm.se

SPAIN Madrid

Eurotherm España SA
 Telephone (+34 91) 6616001
 Fax (+34 91) 6619093
 E-mail ventas@iberica.eurotherm.co.uk

SWEDEN Malmo

Eurotherm AB
 Telephone (+46 40) 384500
 Fax (+46 40) 384545
 E-mail info@eurotherm.se

SWITZERLAND Freienbach

Eurotherm Produkte (Schweiz) AG
 Telephone (+41 55) 4154400
 Fax (+41 55) 4154415
 E-mail epsag@eurotherm.ch

UNITED KINGDOM Worthing

Eurotherm Limited
 Telephone (+44 1903) 268500
 Fax (+44 1903) 265982
 E-mail info@eurotherm.co.uk
 Web www.eurotherm.co.uk

U.S.A Leesburg VA

Eurotherm Inc.
 Telephone (+1 703) 443 0000
 Fax (+1 703) 669 1300
 E-mail info@eurotherm.com
 Web www.eurotherm.com

ED40