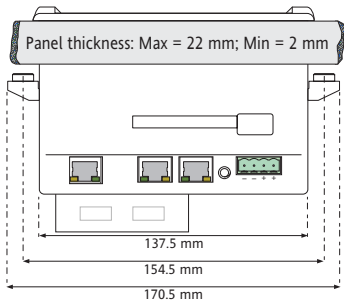
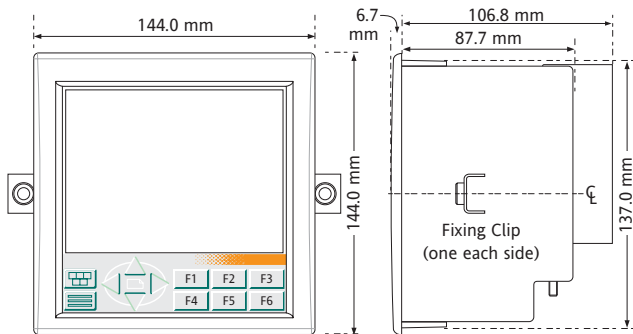


Small frame

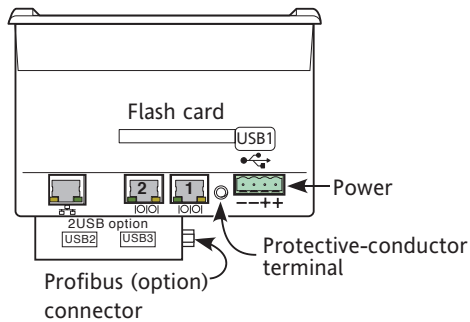
Dimensional details



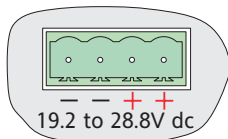
PANEL MOUNTING DETAILS

Cutout: 138 mm x 138 mm (both -0 +1 mm)
 Installed panel angle: Vertical panels only.
 Min. inter-unit spacing (vertical): 50 mm.
 Min. inter-unit spacing (horizontal): 50 mm.
 Note: where multiple units are mounted in close proximity with one another, steps must be taken to ensure that the resulting ambient temperature does not exceed 50 degrees Celsius

Connector locations



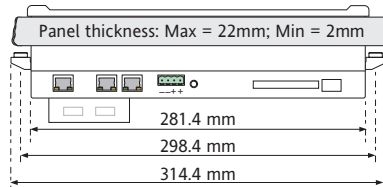
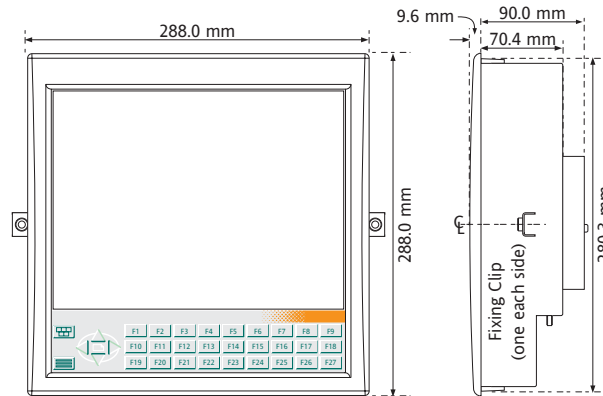
Power connection



Note:
 Positive pins shorted internally
 Negative pins shorted internally

Large frame

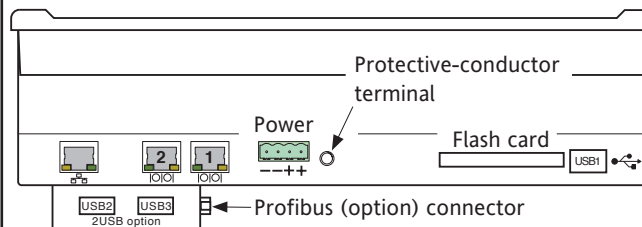
Dimensional details



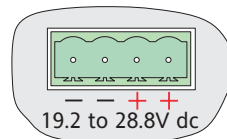
PANEL MOUNTING DETAILS

Cutout: 282 mm x 282 mm (both -0 +1.3 mm)
 Installed panel angle: Vertical panels only.
 Min. inter-unit spacing (vertical): 50 mm.
 Min. inter-unit spacing (horizontal): 50 mm.
 Note: where multiple units are mounted in close proximity with one another, steps must be taken to ensure that the resulting ambient temperature does not exceed 50 degrees Celsius

Connector locations



Power connection



Note:
 Positive pins shorted internally
 Negative pins shorted internally

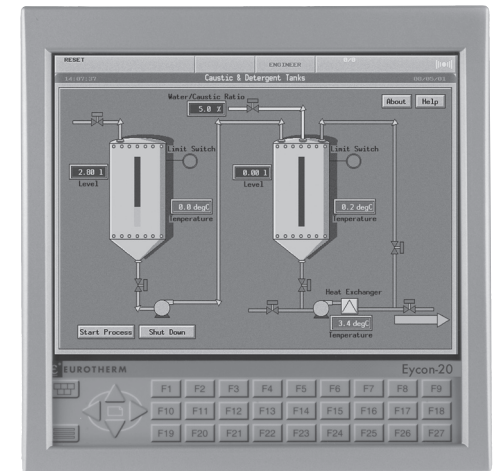
Eurotherm®

by Schneider Electric

Installation and wiring Eycon™-10, Eycon™-20



Eycon-10



Eycon-20

What is the Eycon?

Eycon-10 and Eycon-20 are advanced Human-Machine Interface (HMI) panels which offer easy-to-use, integrated, colour, touch-screen displays. Both models offer accurate, continuous and sequential control capabilities, and have an open-network architecture providing connection with the T2550 PAC, T2750 PAC and other, 3rd party, devices. Advanced features such as Batch control, Multi setpoint programmer, Data recording and Modbus communications allow the Eycon series to be used in a variety of applications from simple stand-alone applications to site-wide system solutions. Profibus communications, USB Printer/Barcode reader and twin extra USB connectors are available as options.

IMPORTANT INFORMATION

UNPACKING THE UNIT

The instrument and any accessories should be unpacked carefully and inspected for damage. The original packing materials should be retained in case re-shipment is required. If there is evidence of shipping damage, please notify the manufacturer or the carrier within 72 hours and retain the packaging for inspection by the manufacturer's and/or carrier's representative.

PACKAGE CONTENTS

The package contents should be checked against the order codes, using the labels on the components. Product labelling includes:

1. Outer packaging label. Shows the full instrument order code, instrument serial number (including status level).
2. Instrument label. Shows the full instrument order code, serial number and hardware build level.

MANUALS REQUIRED

Handbook (HA029280) (supplied as a pdf file on CD)

Refer also to the 'Related Manuals' list in the above Handbook's contents list.

ALARMS

In order to comply fully with BS EN61010, all I/O and hardware alarms must be enabled.

INSTALLATION & SAFETY REQUIREMENTS

Installation requirements for EMC and for safety.

This unit conforms with EMC Directive 89/336/EEC, amended by 93/68/EEC and with the European Low Voltage Directive 73/23/EEC

This unit satisfies the emissions and immunity standards for industrial environments. It is, however, the responsibility of the installer to ensure safety and EMC compliance of any installation which includes this unit.

To ensure compliance with the European EMC directive certain installation precautions are necessary as follows:

General information

Installation must be carried out only by competent personnel, according to the instructions given in the product manual HA029280. The installation must comply with any relevant national and local regulations.

- General guidance. For general guidance refer to the Manufacturer's EMC Installation Guide (Part No. HA025464).
- To ensure that immunity and emission requirements are met: screened cable must be used for all communications wiring and the protective conductor terminal must be connected to a protective conductor.
- Local lightning protection must be fitted if the dc power supply is located more than 30 metres from the instrument(s) it is supplying.
- If a hazard could arise from an operator's reliance on a value displayed by the equipment, the display must give an unambiguous indication (e.g. flashing alarm symbol) whenever the value is over range or under range

Wiring

The unit is intended for use with low voltage dc supplies. Connection of mains (line) voltages will not only damage the unit, but may cause an electrical shock hazard to be present at operator accessible surfaces.

The unit must be wired in accordance with the wiring data given in the product manual. Wiring installations must comply with all local wiring regulations. To minimise the pick-up of electrical noise, communications wiring must be routed away from high-current power cables.

In order to comply with the requirements of safety standard EN61010, the unit shall have one of the following as a disconnecting device, fitted within easy reach of the operator, and labelled as the disconnecting device for the equipment:

- A switch or circuit breaker complying with the requirements of IEC947-1 and IEC947-3
- A separable coupler that can be disconnected without the use of a tool
- A separable plug, without a locking device, to mate with a socket outlet in the building.

In order to provide easy 'daisy-chaining', the supply voltage connector has two 0V pins (commoned together by the circuit board backplane) and two 24 (nom) pins (connected together by an internal link). The unit is therefore not suitable for direct connection of redundant power supplies.

Conductive pollution

Electrically conductive pollution (e.g. carbon dust, water condensation) must be excluded from any cabinet in which the unit is mounted. To ensure the atmosphere is suitable, an air filter should be supplied in the air intake of the cabinet. Where condensation is likely, for example at low temperatures, a thermostatically controlled heater should be installed in the cabinet.

Ventilation

It should be ensured that any enclosure which houses the unit provides the ventilation/heating required to maintain the operating temperature of the unit and the humidity level of its operating environment within its specified limits.

MAINTAINING PRODUCT SAFETY

Misuse of equipment

If the equipment is used in a manner not specified in this handbook the protection provided by the equipment may be impaired.

Preventive Maintenance

Procedures for battery replacement and for touch-screen calibration, are included in the handbook included on the CD supplied with the unit.

Cleaning instructions

The front panel can be wiped with a damp cloth to keep it clean. Mild detergents may be used to remove grease, but abrasive cleaners and aggressive organic solvents must not be used as they can remove the legends and/or damage the plastic labels.

SAFE USAGE OF BATTERIES

The Poly-carbonmonofluoride/lithium battery (type BR2330) used for data retention must be stored in a suitable manner, handled and used correctly, and disposed of safely when spent.

FLASH CARDS

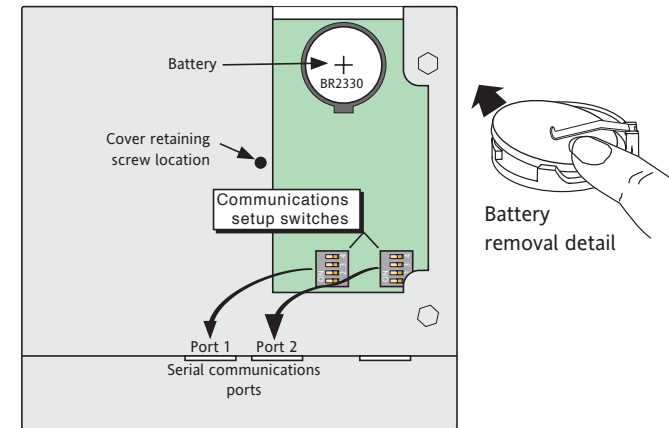
The flash card must not be reformatted. Files and System folders must not be deleted. The card must not be removed from a reader without the correct removal procedure being followed. If these rules are not adhered to, the card may be damaged and the instrument malfunction.

Symbols

Symbols which may appear on the unit, have the following meanings:

	Refer to the manual for instructions		Ethernet connector
	Protective-conductor terminal		USB connector
	This instrument for dc supply only		Serial communications connector
	Precautions against static electrical discharge must be taken when handling this unit.		For environmental reasons, this unit must be recycled before its age exceeds the number of years shown in the circle.

Communications and battery details

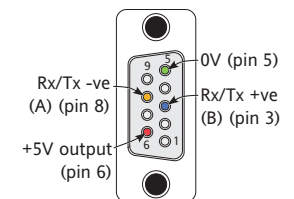


Battery and communications configuration switch locations (Rear view of small frame unit shown - large frame units similar)

Segment	ON (left)	OFF (right)
4	Slave	Master
3	5-wire	3-wire
2	120 Ohm terminating resistor fitted across pins 7 and 8	No terminating resistor across pins 7 and 8
1	120 Ohm terminating resistor fitted across pins 1 and 2	No terminating resistor across pins 1 and 2

Serial communications configuration switch segment definition

Pin	5 wire Master	5 wire Slave	3-Wire Master/Slave
1	RxB	TxB	B
2	RxA	TxA	A
3	Common	Common	Common
4	NC	NC	NC
5	NC	NC	NC
6	Common	Common	Common
7	TxB	RxB	NC
8	TxA	RxA	NC



Serial communications RJ45 pinout

Profibus 9-way D-type pinout