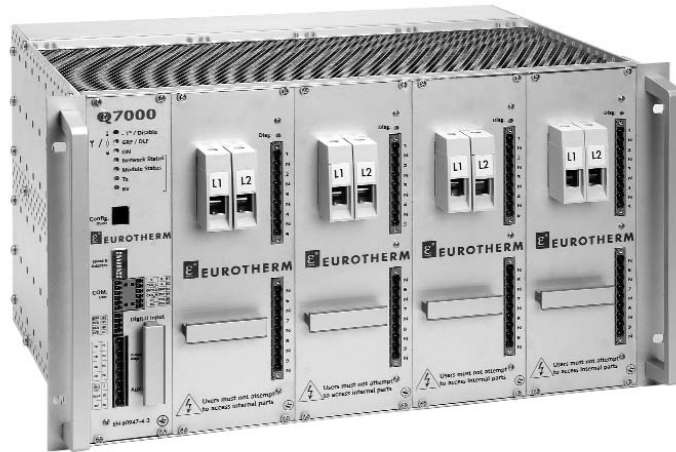


Q7000

MODEL



Multi Channel Power Controller Technical Specifications

Ideal for :

- Plastic extrusion
- Thermoforming
- Ovens
- Trace Heating
- Moulding
- Gilding
- Drying
- Blowing
- Windscreen bending

Features :

- 11 amps at 45°C
- Heater failure detection
- Current monitoring
- Communications ModBus, ProfiBus DP
- RJ11 configuration port
- Power, current and voltage control
- Adjustable burst firing mode

The Q7000 is a compact power unit with high performance for your multizoned process.

An innovative solution for your multichannel applications

The Q7000 is a 19" x 6U rack with one driver module and four power modules, with nine channels each, allowing to control 9, 18, 27 or 36 channels reducing the space used per channel.

A global installation cost reduction of 30%

Rapid and simple commissioning
Reduced size
Wiring economy (no internal wiring)
Driver and power modules are unpluggable from the rack

Optimization of your process

Due to high performance :
Control, Alarms, Diagnosis, and digital communication

The Q7000 is available in different formats

Rack (up to 36 channels)
Cabinet (up to 3 racks per cabinet, 108 channels)

Advanced monitoring functions

- The Q7000 allows load monitoring on each 36 channels with a sensitivity on the partial load failure of one element out of two connected in parallel.
- With the digital communication, the 36 load currents and many other parameters are available.

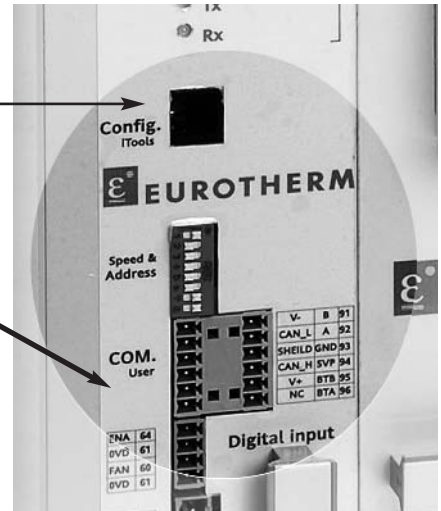
Simplified maintenance and productivity gain

- Power boards pluggable, with connection on the backplane
- Available Diagnosis per channel:
 - Over temperature
 - Thyristor short circuit
 - Partial load failure or total load failure
- Real time fault indications
- Front panel LEDs
- Remote load state
- Digital communication

Easy configuration and commissioning, using the digital communication

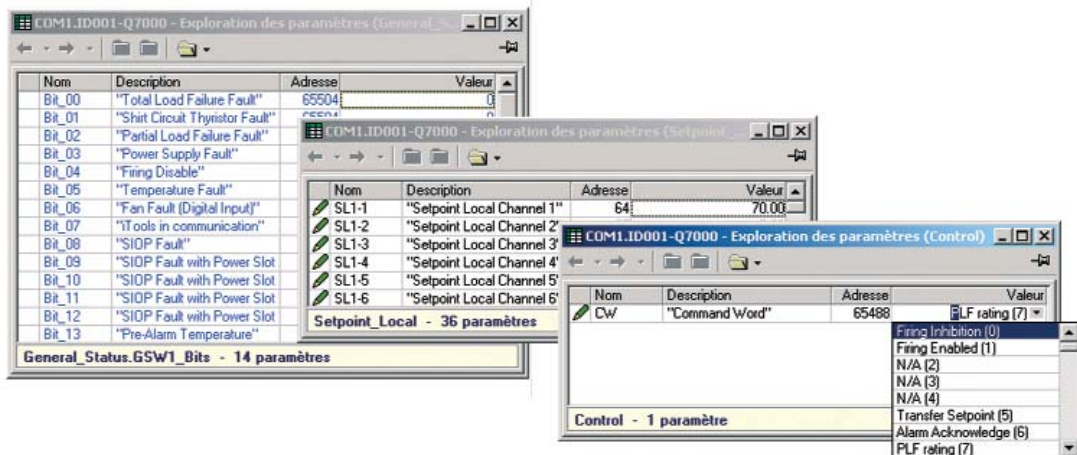
The Q7000 has two communication ports :

- Configuration port :
 - using the configuration software iTools (ModBus), used with all the Eurotherm instruments. The Q7000 can be configured in accordance with the process : control, firing mode, PLF settings.
 - Your configurations can be loaded or cloned from a PC or a PLC, using this port.
- User port :
 - The Q7000 unit and the controlled loads status can be monitored at any time using this port. The communication protocols available are ModBus and ProfiBus DP.



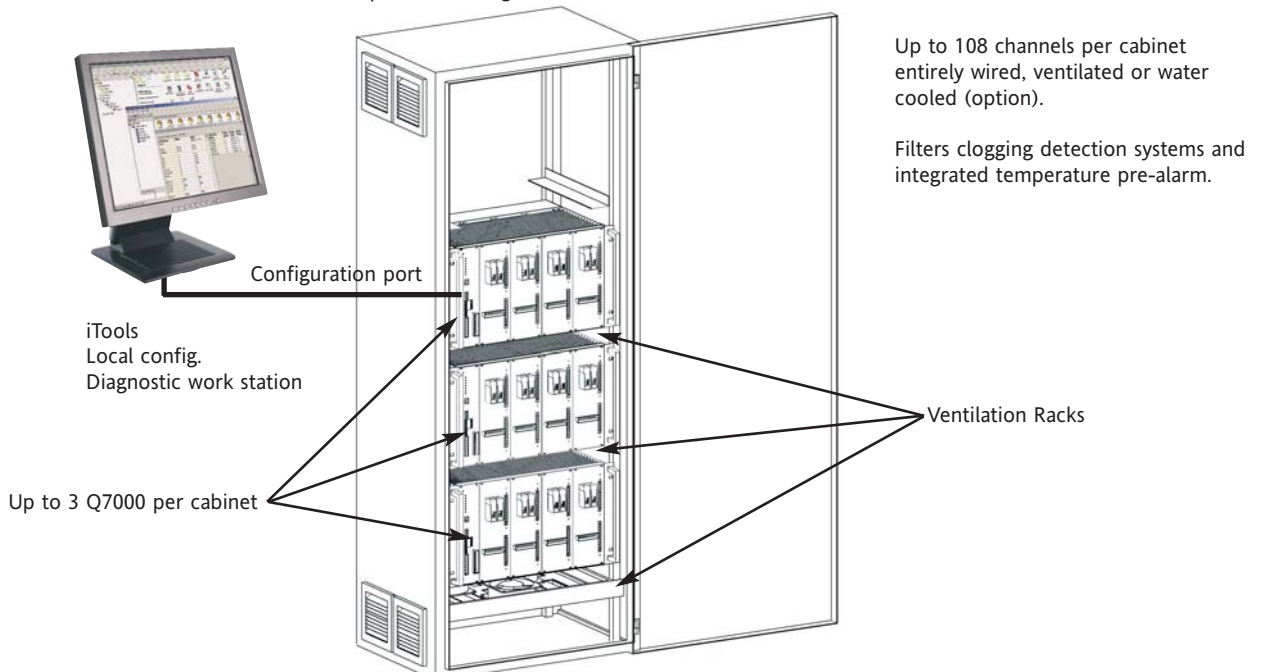
Configuration using iTools

The configuration software, iTools, allows a rapid and simple access to all the parameters : of the unit and each one of the 36 channels. Each channels are independent from one another and all of them can have different settings : calibration, setpoint, firing mode, limitation...



Cabinet installation

Eurotherm innovates and can also offer the complete mounting solution into a cabinet.



TECHNICAL SPECIFICATION

Product standard Q7000 products comply with the terms of product standard EN 60947-4-3 'Contactors and motor-starters - AC semiconductor controllers and contactors for non-motor loads'.

CE labeling Compliance with the essential requirements of the European Low Voltage Directive and the Electromagnetic Compatibility Directive

Environment
Use 0 to 40 °C at nominal current of 11 amps or 0 to 60 °C at nominal current of 5.5 amps max. altitude 2000 m.
Storage -10°C to +70°C.
Pollution Degree 2 acceptable (defined by IEC 664).
Humidity 5% to 95% RH non-condensing, non-streaming.

Power
Nominal current 11A at 45 °C - derated 5,5 A for 60 °C,
Nominal voltage 230 V or 115 V (+10 % ; -15 %) standards. For other voltages (24V, 48V and 63.5V) please contact Eurotherm.
Frequency Use from 47 to 63 Hz (automatic matching)
Dissipated power ≈ 1.3 W per amp and per phase.
Cooling Ventilation rack. 115 V or 230 V - 10 VA. (Water cooling available for condition of use different than those indicated - Contact Eurotherm)
Load Single-phased load, distributed among one, two or three phase according to the customer choice
Category of use AC-51. Resistive load with low temperature coefficient.

Protection Triacs protection by RC snubbers (each) and by fuse on each line inside the rack. Protection of the product by Varistors.

Supply External power supply (115 V or 230 V ; +10%; -15%) Consumption : 100 VA.

Firing modes
Zero crossing firing 'Burst mode' : base time 16 or 64 cycles. 'Single-cycle' : base time 1 cycle Digital Communication configuration.

Control
Control type Voltage squared (V2), Current squared (I2), Power (V x I), Open Loop, Voltage (Vrms) or Current (Irms).

Linearity ±1 % (Balanced load and supply)
Stability ±1 % (supply variation from +10 % to -15%)
Accuracy ±1 % (Balanced load and supply)

Alarms
Serious alarms (GRF option) Total load failure and thyristor short circuit detection Signalling : Red 'GRF' LED and alarm relay contact

Diagnostic alarm (DLF option) Partial load failure detection. Signalling : Orange 'DLF' LED and alarm relay contact

Sensitivity (for each phase) Detects the failure of at least one heating element for two identical elements mounted in parallel. The DLF option includes Serious alarm monitoring

Over-temperature For all units, the unit cuts out if the temperature alarm threshold is exceeded. Signalling :Red 'T' LED and alarm relay contact

Alarm relay The relay contact (0.25 A/230 Vac; 32Vdc) is either open on alarm or closed on alarm depending on the product code.

User Communication
Protocol ModBus RTU and ProfiBus
Transmission Standard RS485, 2 wires (A and B)
ModBus Protocol
Transmission speed 9600 to 19200 bauds (dip switch 1), Switches from 1 and 127
Address The Profibus communication protocol specifications are defined by the EN 50170 / DIN 19245 / Part3 directives.
ProfiBus Protocol * Contact Eurotherm

*DeviceNet Protocol**

Configurator port
Protocol ModBus
Transmission Standard RS232, 3 wires (Rx, Tx and GND)
Transmission speed 19200 bauds
Address 1 by default
Connection RJ11 connector

Protection
Electrical protection IP 20 protection without any added protections.
Over-voltage Over-voltage category 2

Dimensions
Rack Height : 6 U (265,9 mm)
 Width : 19" (482,6 mm)
 Depth : 295 mm
 Weight : 10 kg (max).

Cabinet Height : ≤ 2 m
 Width : 400 mm
 Depth : 600 mm
 Mounting from 1 to 3 racks into a cabinet.

CONTROL AND POWER CONNECTIONS

CONTROL TERMINALS

Terminal	N°	DeviceNet (DVN)		ModBus or ProfiBus (MOP / PFP)	
		Label	Purpose	Label	Purpose
COM. User	91	V-	CAN low supply	B	- Tx /Rx
	92	CAN_L	- Tx /Rx	A	+ Tx / Rx
	93	SHIELD	Shield	0VP	0 V
	94	CAN_H	+ Tx / Rx	5VP	+ 5 V
	95	V+	CAN high supply	BTB	Line B Adaptation
	96	NC	Not connected	BTA	Line A Adaptation

Terminal	N°	Label	Purpose	Capacity
Aux	7		NC	2.5 mm ²
	16	Vaux	Aux. external supply 230V	13 AWG
	18	0V	Neutral	
Digital input	64	ENA	Enable	2.5 mm ²
	62	FAN	Ventilator	3 AWG
	61	0Vd	0 Volts	
Output Relay	71	1a	Contact	2,5 mm ² 13 AWG
	72	1b	Contact	
	81	2a	Contact	
	82	2b	Contact	

Note :
 NC or NO contact (see code)

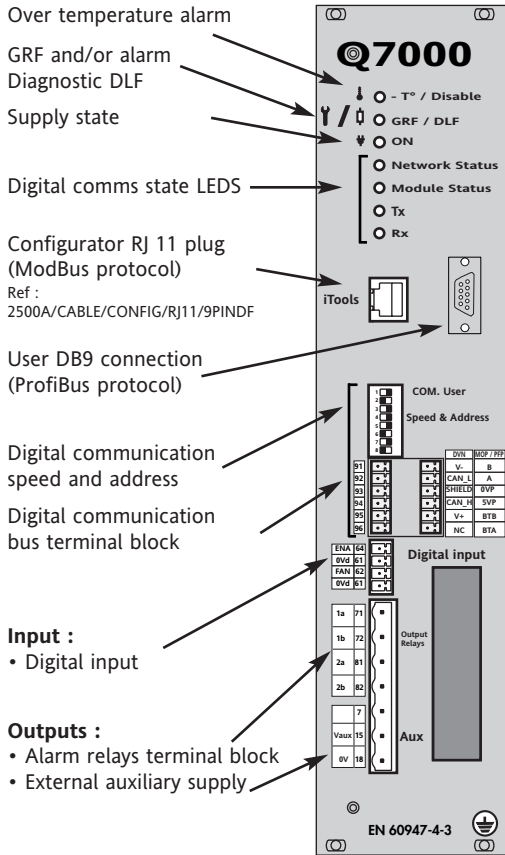
POWER TERMINALS

Power terminal supply side
Rating 100 A under 230 V supply
Terminal capacity
 from 16 mm² / 5 AWG
 to 35 mm² / 2 AWG
Clamping torque 3.8 Nm

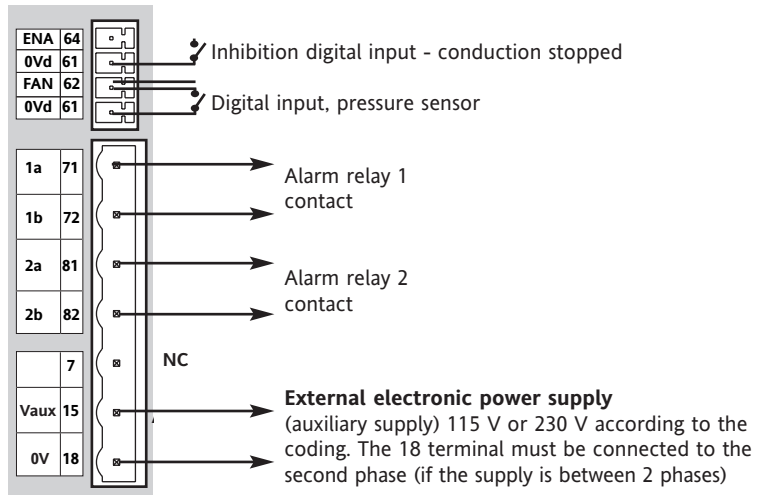
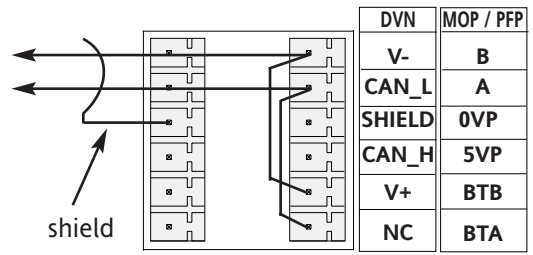
Power terminal load side
Rating 11 A under 230 V supply
Terminal capacity
 from 2.5 mm² / 13 AWG
Clamping torque 1.2 Nm

Conductor cross-sections should comply with the IEC 943

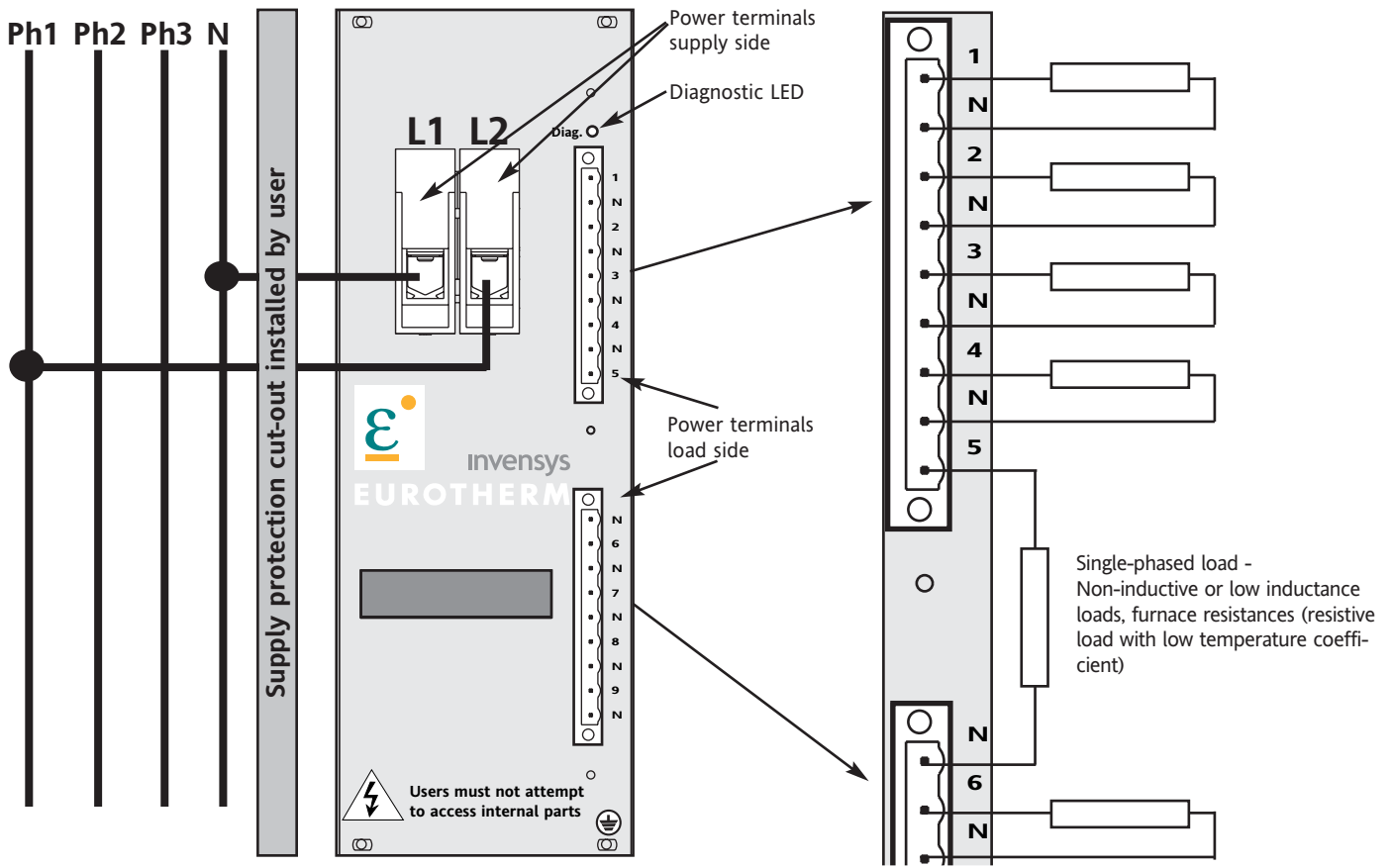
CONTROL CONNECTION DIAGRAM



Digital communication wiring RS 485 ModBus and Profibus protocols
Note : For DeviceNet protocol, contact Eurotherm

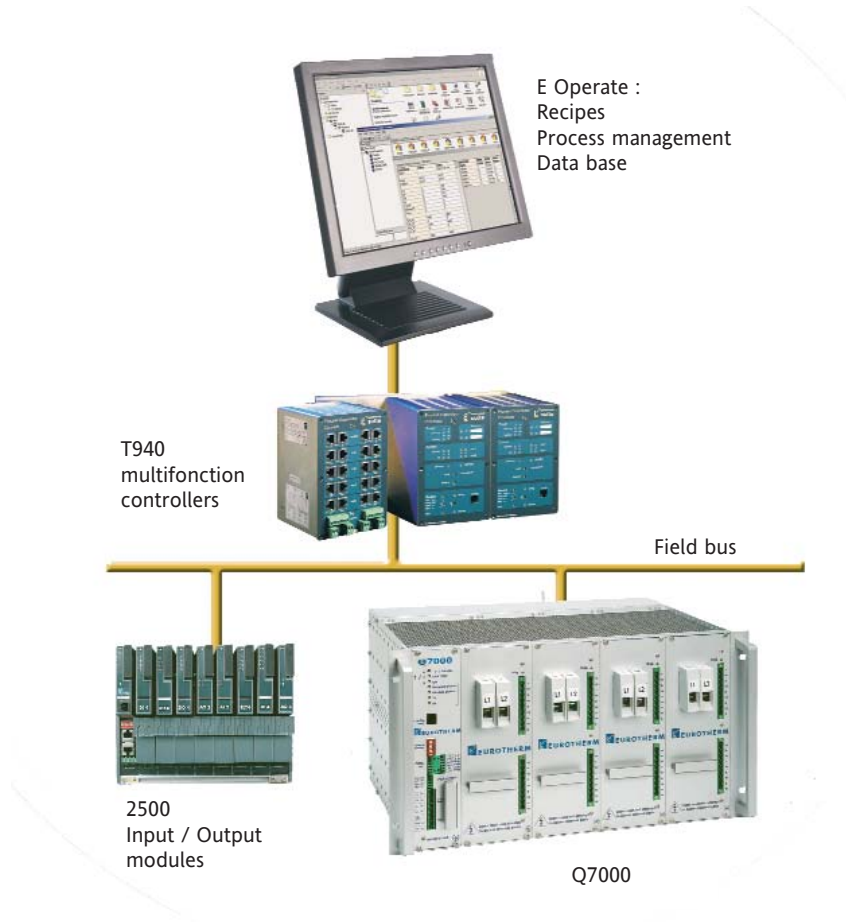


POWER CONNECTION DIAGRAM



Eurotherm Global Solution

Eurotherm can provide a turn-key and complete solution adapted to your process.



Eurotherm turn-key solution including

power cabinets, supervision and Eurotherm Suite process control, multifunction controllers, Input/output units, communication network and the Eurotherm engineering and associated services.

ORDER CODE

Product	Number of channels	Slot 1	Slot 2	Slot 3	Slot 4	Fan	Power supply	Comms	Relay	Cert.
Q7000										

Number of channels

9	9 channels
18	18 channels
27	27 channels
36	36 channels

Fan

FAN	With fan
NOFAN	Without fan

Communication

MOP	ModBus
PFP	Profibus DP

Slot 1 Slot 2 Slot 3 Slot 4

115V	115 V nominal voltage
230V	230 V nominal voltage
XXXX	No slot (code only available for slots 2,3 & 4)

Power supply

Electronics and Fan supply	
115V	115 Vac supply
230V	230 Vac supply

Relay configuration

	Relay 1	Relay2
NC-NC	Normally closed	Normally closed
NC-NO	Normally closed	Normally open
NO-NC	Normally open	Normally closed
NO-NO	Normally open	Normally open

Certification

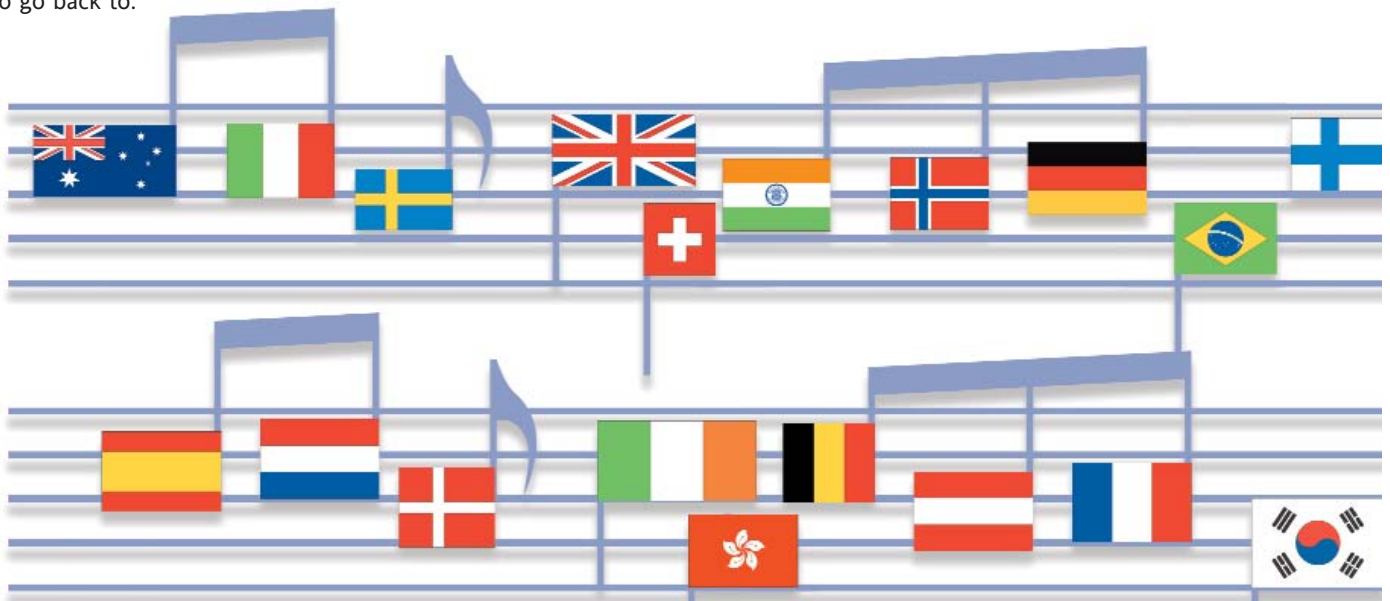
CERT	With certificat
XXXX	Without certificat

Fuse

Rating	Fuse reference
16 A	CH260163

Eurotherm: International sales and service

Understanding and providing local support is a key part of Eurotherm's business. Complementing worldwide Eurotherm offices are a whole range of partners and a comprehensive technical support team... a soothing melody to ensure you get a service you will want to go back to.



AUSTRALIA Sydney
Eurotherm Pty. Ltd.
Telephone (+61 2) 9838 0099
Fax (+61 2) 9838 9288
E-mail info@eurotherm.com.au

AUSTRIA Vienna
Eurotherm GmbH
Telephone (+43 1) 7987601
Fax (+43 1) 7987605
E-mail eurotherm@eurotherm.at

BELGIUM & LUXEMBURG Huy
Eurotherm S.A./N.V.
Telephone (+32) 85 274080
Fax (+32 1) 85 274081
E-mail sales@eurotherm-belgium.be

BRAZIL Campinas-SP
Eurotherm Ltda.
Telephone (+5519) 3707 5333
Fax (+5519) 3707 5345
E-mail eurothermltda@eurothermltda.com.br

DENMARK Copenhagen
Eurotherm Danmark A/S
Telephone (+45 70) 234670
Fax (+45 70) 234660
E-mail info@eurotherm.se

FINLAND Abo
Eurotherm Finland
Telephone (+358) 22506030
Fax (+358) 22503201

FRANCE Lyon
Eurotherm Automation SA
Telephone (+33 478) 664500
Fax (+33 478) 352490
E-mail ea@automation.eurotherm.co.uk

GERMANY Limburg
Eurotherm Deutschland GmbH
Telephone (+49 6431) 2980
Fax (+49 6431) 298119
E-mail info@regler.eurotherm.co.uk

HONG KONG & CHINA
Eurotherm Limited Aberdeen
Telephone (+85 2) 28733826
Fax (+85 2) 28700148
E-mail eurotherm@eurotherm.com.hk

Guangzhou Office
Telephone (+86 20) 8755 5936
Fax (+86 20) 8755 5831

Beijing Office
Telephone (+86 10) 6762 0936
Fax (+86 10) 6762 0931

Shanghai Office
Telephone (+86 21) 6352 6406
Fax (+86 21) 6352 7351

INDIA Chennai
Eurotherm India Limited
Telephone (+91 44) 24961129
Fax (+91 44) 24961831
E-mail sales@eurothermdel.com

IRELAND Dublin
Eurotherm Ireland Limited
Telephone (+353 1) 469180
Fax (+353 01) 4691300
E-mail info@eurotherm.ie

ITALY Como
Eurotherm S.r.l
Telephone (+39 31) 975111
Fax (+39 31) 977512
Telex 380893 EUROTH I
E-mail info@eurotherm.it

KOREA Seoul
Eurotherm Korea Limited
Telephone (+82 31) 2738507
Fax (+82 31) 2738508
E-mail help@eurotherm.co.kr

NETHERLANDS Alphen a/d Ryn
Eurotherm B.V.
Telephone (+31 172) 411752
Fax (+31 172) 417260
E-mail sales@eurotherm.nl

NORWAY Oslo
Eurotherm A/S
Telephone Oslo (+47 67) 592170
Fax (+47 67) 118301
E-mail info@eurotherm.se

SPAIN Madrid
Eurotherm España SA
Telephone (+34 91) 6616001
Fax (+34 91) 6619093
E-mail ventas@iberica.eurotherm.co.uk

SWEDEN Malmo
Eurotherm AB
Telephone (+46 40) 384500
Fax (+46 40) 384545
E-mail info@eurotherm.se

SWITZERLAND Freienbach
Eurotherm Produkte (Schweiz) AG
Telephone (+41 55) 4154400
Fax (+41 55) 4154415
E-mail epsag@eurotherm.ch

UNITED KINGDOM Worthing
Eurotherm Limited
Telephone (+44 1903) 268500
Fax (+44 1903) 265982
E-mail info@eurotherm.co.uk
Web www.eurotherm.co.uk

U.S.A Leesburg VA
Eurotherm Inc.
Telephone (+1 703) 443 0000
Fax (+1 703) 669 1300
E-mail info@eurotherm.com
Web www.eurotherm.com

Eurotherm is also represented in the following countries:

<i>Azerbaijan</i>	<i>New Zealand</i>
<i>Bahrain</i>	<i>Nigeria</i>
<i>Bangladesh</i>	<i>Oman</i>
<i>Bulgaria</i>	<i>Pakistan</i>
<i>Canada</i>	<i>Philippines</i>
<i>Czech Republic</i>	<i>Poland</i>
<i>Egypt</i>	<i>Puerto Rico</i>
<i>Georgia</i>	<i>Qatar</i>
<i>Greece</i>	<i>Romania</i>
<i>Hungary</i>	<i>Russia</i>
<i>Indonesia</i>	<i>Saudi Arabia</i>
<i>Iran</i>	<i>Singapore</i>
<i>Iraq</i>	<i>Slovak Republic</i>
<i>Israel</i>	<i>Slovenia</i>
<i>Japan</i>	<i>South Africa</i>
<i>Jordan</i>	<i>Sri Lanka</i>
<i>Kazakhstan</i>	<i>Thailand</i>
<i>Kenya</i>	<i>Turkey</i>
<i>Kuwait</i>	<i>Turkmenistan</i>
<i>Latvia</i>	<i>UAE</i>
<i>Lithuania</i>	<i>Ukraine</i>
<i>Malaysia</i>	<i>Uzbekistan</i>
<i>Mexico</i>	

ED43

Represented by: