

MOUNTING

TE10P controllers may be mounted:
on two DIN rails EN 50022 (code DIN) for 16A to 100A rated units
on a bulkhead (code BKD) for all rated units.

DIN RAIL MOUNTING (units rated between 16A and 100A)

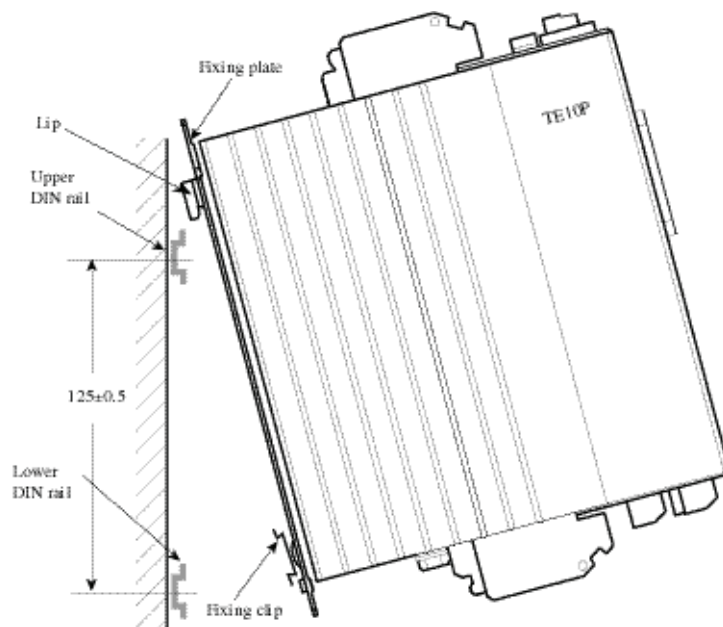


Figure 2-3 DIN rail mounting of TE10P controller (16A to 100A rated units)

To mount the TE10P controller on DIN rails, offer up the unit by first engaging the two lips on the upper part of the fixing plate (back plate of controller) onto the upper DIN rail (see Figure 2-3). Clip the unit (using the spring fixing clip) onto the lower DIN rail, making sure that the clip is properly engaged.