

# VISIPAK™ V561

## Loop Powered LCD Indicator

Provides a 3-1/2 Digit Liquid Crystal Display (LCD)  
in Proportion to a 4-20mA Current Input

V561-0000 Loop Powered, Explosion Proof LCD Indicator

V561-1000 Loop Powered, Explosion Proof LCD Indicator with Backlight

- 4-20mA Input
- 3-1/2 Digit Display
- Easy Calibration and Installation
- Loop-Powered Backlight Option
- -40 to 85°C Operation
- FM and CSA Approved Explosion Proof Enclosure

### Description

The V561 3 1/2 digit loop-powered meter is perfect for applications in which a simple inexpensive display is required but no ac power is available. The V561 is supplied in an explosion-proof enclosure. The loop-powered backlight eliminates the need for additional wiring or batteries and provides a good view under any lighting conditions.

### Setup

All that is required for calibration of the unit is a calibrated current source and a screwdriver.

### Disassembly

The removable screw terminal connector is located on the lower circuit board. To access these input terminals it is necessary to remove the display board from the input signal board. First remove the enclosure cover. Next, loosen the 2 screws that hold the display board to the standoffs. Rotate the display board so that the right side comes off the standoff first, and then proceed to remove the display board from both standoffs. Avoid contact of the display with rough surfaces. The display board can be disconnected from the ribbon cable simply by pulling up on the ribbon cable connector located above the display.

Connect a 4-20 mA input signal to terminal J5 located on the input signal board.

When re-assembling be careful NOT to over-tighten the screws.

### Installation

Installation is accomplished using the two 1/2" NPT conduit holes provided with 1/2" NPT fittings. There are no provisions for wall mounting.

### Decimal Point Selection

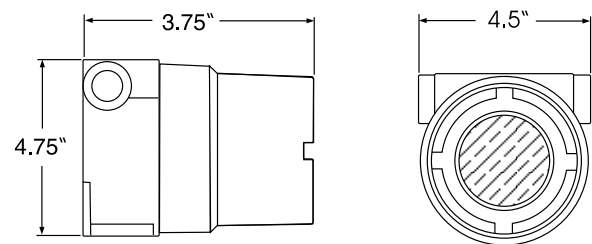
The decimal point jumper array (JP1) is located at the upper right corner of the display board. Place a jumper across the bottom pins for a display of XXX.X; across the middle pins for a display of XX.XX; and across the top pins for a display of X.XXX.

### Calibration

The LO calibration control (R11) is located below the display and the HI calibration control (R9) is located to the right of the display.

Apply a 4 mA input signal and adjust the LO control to display the desired reading. Apply a signal between 16 and 20 mA and adjust the HI control to display the desired reading. Complete the procedure by making any minor adjustments to the LO and HI controls.

### Dimensions



## Specifications

### Input:

4-20 mA

### Display:

0.5" high LCD, 3° digits; 1999, User selectable decimal point.

### Calibration:

2 Step; Non-interacting zero and span.

### Calibration Range:

4 mA input: -500 to +500;

20 mA input: between 20 to 2000 above

4 mA display.

### Maximum Current:

30 mA

### Maximum Voltage Drop:

1.5 VDC @ 20 mA; 3.5 VDC @ 20 mA with backlighting option.

### Accuracy:

±0.1% of span, ±1 count.

### Connections:

Removable screw terminal block (provided).

### Operating Temperature Range:

-40 to 85°C

### Weight:

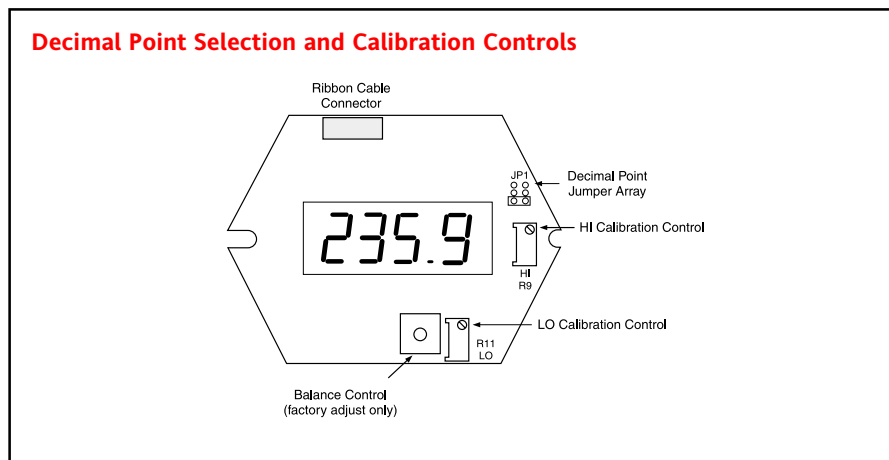
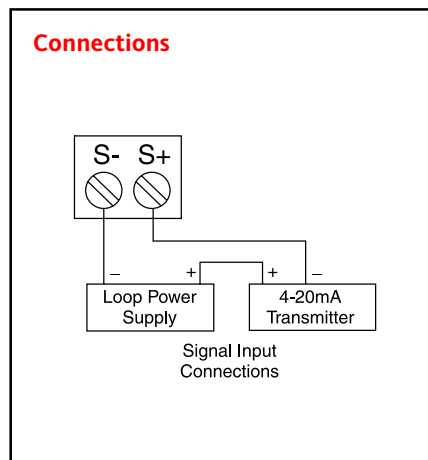
4 lbs.

### V561 Enclosure:

Cast aluminum, approved by FM and CSA; NEMA 4, 7 & 9; Class I, Groups B, C & D and Class II, Groups E, F, & G. Two 1/2" NPT holes provided.

### Loop-Powered Backlighting Option:

Factory installed only. Powered directly off the 4-20 mA loop, no batteries required. The display brightness will increase as the input signal current increases.



## Ordering Information

### Specify:

1. Model number:

**V561-0000** Loop Powered, Explosion Proof LCD Indicator

**V561-1000** Loop Powered, Explosion Proof LCD Indicator with Backlight



### Eurotherm Controls, Inc

741-F Miller Drive  
Leesburg, VA 20175-8993  
703-443-0000

[info@eurotherm.com](mailto:info@eurotherm.com) or [www.eurotherm.com/actionio](http://www.eurotherm.com/actionio)

### Factory Assistance

For additional information on calibration, operation and installation contact our Technical Services Group:

**703-669-1318**

[actionsupport@eurotherm.com](mailto:actionsupport@eurotherm.com)

721-0711-00-F 09/06 Copyright© Eurotherm, Inc 2006