



Eurotherm®

Accelerate Your Project Delivery

Industrial Control Panel Featuring nanodac™ Recorder/Controller

Designed to provide a complete control and data recording solution and delivered from stock to help meet short lead times, this industrial panel with Eurotherm nanodac recorder/controller is ideal for projects where a custom control panel has not been budgeted for and fast delivery is needed. Its standardized UL508A approved design satisfies a variety of machine control applications.

Benefits

- Industry-leading Eurotherm precision dual loop PID control with input measurement accuracy of 0.1% of reading accuracy at 125ms sample rate
- All I/O points are wired to an easily accessible industrial terminal strip
- Compact UL508A/cUL508A approved polycarbonate control panel, available in stainless steel upon request
- NEMA 12 rated nanodac instrument, in a NEMA 4X enclosure sealed for use in harsh environments and washdown applications
- Seamless building automation integration with native BACnet IP communication

Key Features

- Four standard universal analog inputs, two 4-20mA outputs, two relay outputs, two digital inputs
- Up to eight universal analog inputs available for temperature, pressure, flow, calculated values, etc.
- Tamper resistant data recording ideal for regulated industries
- Modbus TCP/IP and BACnet IP Ethernet communications
- Ability to control two valve positioners in 1/3 : 2/3 mode
- Full color TFT display with dedicated beacons for easy visualization of alarm status
- Front panel on/off power switch and two red alarm lights
- Pre-configured with a basic heating application using iTools configuration software. Simply enter setpoints and run the auto-tune function

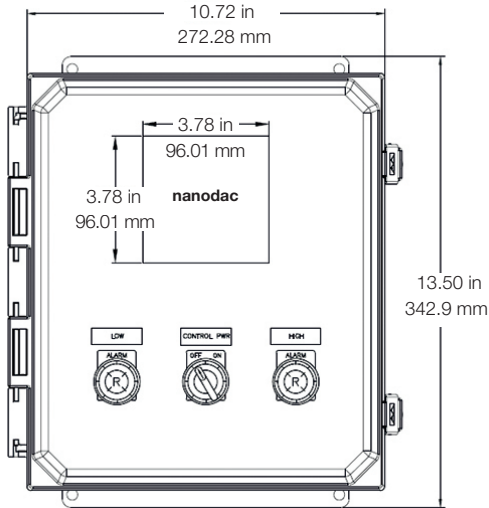


eurotherm.com/nanodac

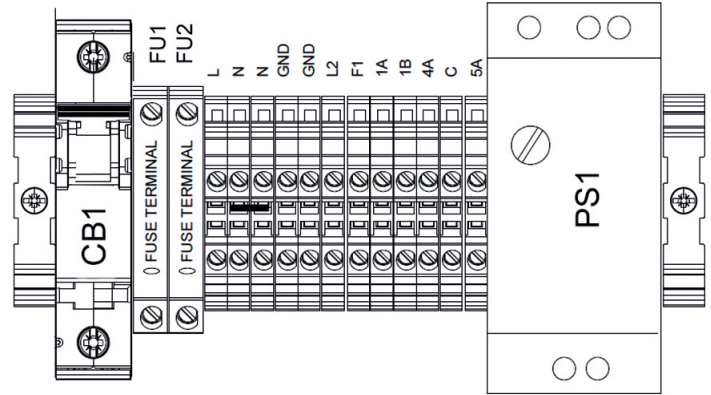
 **WATLOW®**
Powered by Possibility

Technical Details and Dimensions

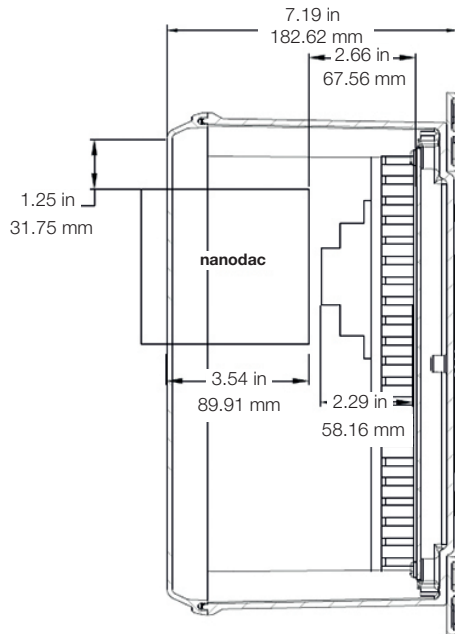
Front Panel Dimensions and Layout



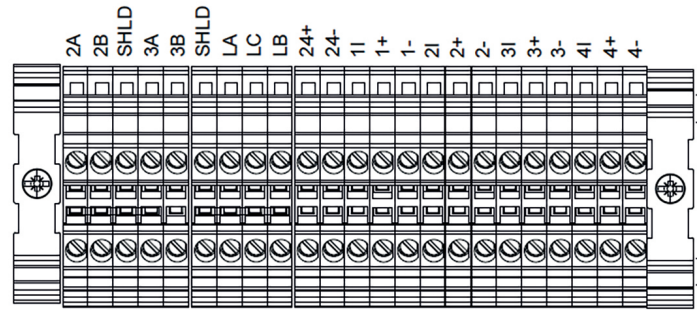
AC Voltage I/O Rail



Side Panel Dimensions and Layout



DC Voltage I/O Rail



Order Code

Control Panel	
NANODAC-PANEL-AP	Industrial control panel fitted with nanodac recorder/controller

This Industrial Control Panel Solution is currently available as a stock item from our Eurotherm USA office only.

Eurotherm US LLC
 44621 Gullford Drive, Suite 100
 20147 Ashburn, VA
 USA
 Phone: +1-703-724-7300

www.eurotherm.com

Document Number HA033569USA Issue 3

Watlow, Eurotherm, EurothermSuite, EFit, EPack, EPower, Eycon, Chessell, Mini8, nanodac, piccolo and versadac are trademarks and property of Watlow its subsidiaries and affiliated companies. All other trademarks are the property of their respective owners.

©Watlow Electric Manufacturing Company. All rights reserved.

Contact your local sales representative

